



2. Rohrverbindungen

Fittings

		Seite page
2.1	Steril-Verschraubung STERI-Connect® aseptic screwed pipe connection	7
2.2 S	Steril-Verschraubung DIN 11864-1-A aseptic screwed pipe connection	14
2.2 H	Hygiene-Verschraubung DIN 11853-1 hygienic screwed pipe connection	16
2.3	Steril-Flanschverbindung STERI-Connect® aseptic flange connection	25
2.4 S	Steril-Flanschverbindung DIN 11864-2-A aseptic flange connection	31
2.4 H	Hygiene-Flanschverbindung DIN 11853-2 hygienic flange connection	33
2.5	Steril-Clampverbindung STERI-Connect® aseptic clamp connection	42
2.6 S	Steril-Clampverbindung DIN 11864-3-A aseptic clamp connection	48
2.6 H	Hygiene-Clampverbindung DIN 11853-3 hygienic clamp connection	50
2.7	Clampverbindung DIN 32676 clamp connection	58
2.8	Nippel-SO nipple for orbital welding	66
2.9	Muffe-SO sleeve for orbital welding	68
2.10	STERI-Cap® end cap for orbital welding	70
	Zubehör accessories	72



Legende

- A Außendurchmesser
- B Innendurchmesser
- C Gesamtlänge
- D größter Außendurchmesser
- D1 Innendurchmesser (Nutmutter)
- E (metrisches) Gewinde (M)
- SW Schlüsselweite

Abmessungen

DIN 11866-A (DIN 11850)
 DIN 11866-B (EN ISO 1127)
 auf Anfrage: DIN 11866-C (ASME BPE)

Normative Verweisungen,

Anforderungen / Abnahmen (Vormaterial)

- BN2
- EN 10088-1/-3
- EN 10204
- EN 10222-5 (Rohlinge)
- EN 10254 (Rohlinge)
- EN 10272
- ASTM A276
- ASTM A182/A182M / ASME SA182/SA182M
- ASTM A479/A479M / ASME SA479/SA479M
- ASME SA336 (Rohlinge)
- AD 2000-W2

Kennzeichnung

Hersteller, Werkstoff, Abmessung, Schmelze,
 STERI-Connect®

Toleranzen (Bezugsnorm)

ISO 2768-1

Verpackung

Schweißenden mit Kunststoffkappen verschlossen,
 einzeln verpackt.

Werkstoffe

- 1.4435 (mediumberührt)
- 1.4301/07 (nicht mediumberührt)
- EPDM (Standard)

weitere Werkstoffe auf Anfrage

Oberflächenbeschaffenheit ("MB")

innen: feinstgedreht, Ra < 0.8 µm
 außen: feingedreht, Ra < 1.6 µm

Key

- external diameter
- internal diameter
- total length
- biggest external diameter
- internal diameter (nut)
- (metric) thread (M)
- width across flats (A/F)

Dimensions

DIN 11866-A (DIN 11850)
 DIN 11866-B (EN ISO 1127)
 on request: DIN 11866-C (ASME BPE)

Normative References,

Requirements / Approvals (raw material)

- BN2
- EN 10088-1/-3
- EN 10204
- EN 10222-5 (forgings)
- EN 10254 (forgings)
- EN 10272
- ASTM A276
- ASTM A182/A182M / ASME SA182/SA182M
- ASTM A479/A479M / ASME SA479/SA479M
- ASME SA336 (forgings)
- AD 2000-W2

Marking

manufacturer, material, dimension, heat,
 STERI-Connect®

Tolerances (reference standard)

ISO 2768-1

Packaging

Welding ends covered with plastic caps,
 wrapped separately.

Materials

- 316L (at medium contact surface)
- 304 (not at medium contact surface)
- EPDM (standard)

further materials on request

Surface condition ("MB")

inside: ultra-fine turned, Ra < 0.8 µm
 outside: refined turned, Ra < 1.6 µm



Oberflächenqualitäten | surface qualities

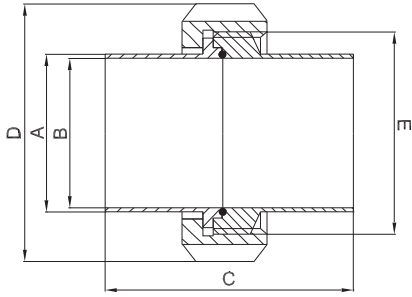
Innenoberfläche internal surface finish	(Zusatz-) Artikel-Nr. (additional) order No
e-poliert e-polished	999277
Ra < 0.6 µm (STERI-line®)	999279
Ra < 0.5 µm (STERI-line®)	999280
Ra < 0.4 µm (HQ-line®)	999281
Ra < 0.25 µm (HQ-line®)	999283

Bestellbeispiel | ordering example

Artikelbezeichnung + Ausführungen article description + variants	Artikel-Nr. order No
Steril-Verschraubung STERI Connect® DN025 ISO aseptic screwed pipe connection (1.4435, EPDM)	700317
e-poliert e-polished	+ 999277
Ra < 0.25 µm	+ 999283



Zubehör ab Seite 73 | accessories from page 73 on



weitere Abmessungen auf Anfrage | further dimensions on request

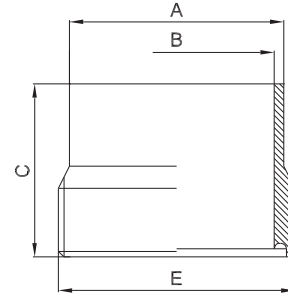
DIN	Abmessung dimension	A	B	C	D	E (M)	MB 1.4435			
DN006	8.0 x 1.0	8.0	6.0	67.0	SW19	16 x 1.5	705207			
DN008	10.0 x 1.0	10.0	8.0	67.0	SW22	18 x 1.5	705206			
DN010	12.0 x 1.0	12.0	10.0	68.0	SW27	22 x 1.5	700307			
DN010	13.0 x 1.5	13.0	10.0	68.0	SW27	22 x 1.5	709783			
DN015	19.0 x 1.5	19.0	16.0	68.0	42.0	30 x 1.5	700311			
DN020	23.0 x 1.5	23.0	20.0	70.0	48.0	36 x 2.0	700313			
DN025	29.0 x 1.5	29.0	26.0	81.0	55.0	42 x 2.0	700315			
DN032	35.0 x 1.5	35.0	32.0	82.0	65.0	52 x 2.0	700318			
DN040	41.0 x 1.5	41.0	38.0	83.0	70.0	56 x 2.0	700320			
DN050	53.0 x 1.5	53.0	50.0	84.0	82.0	68 x 2.0	700322			
DN065	70.0 x 2.0	70.0	66.0	112.0	105.0	90 x 3.0	700325			
DN080	85.0 x 2.0	85.0	81.0	112.0	115.0	100 x 3.0	700328			
DN100	104.0 x 2.0	104.0	100.0	114.0	145.0	130 x 4.0	700309			

ISO	Abmessung dimension	A	B	C	D	E (M)	MB 1.4435			
DN008	13.5 x 1.6	13.5	10.3	67.0	SW27	22 x 1.5	700327			
DN010	17.2 x 1.6	17.2	14.0	68.0	SW30	26 x 1.5	700308			
DN015	21.3 x 1.6	21.3	18.1	68.0	42.0	30 x 1.5	700312			
DN020	26.9 x 1.6	26.9	23.7	70.0	48.0	36 x 2.0	700314			
DN025	33.7 x 2.0	33.7	29.7	81.0	55.0	42 x 2.0	700317			
DN032	42.4 x 2.0	42.4	38.4	82.0	65.0	52 x 2.0	700319			
DN040	48.3 x 2.0	48.3	44.3	83.0	70.0	56 x 2.0	700321			
DN050	60.3 x 2.0	60.3	56.3	84.0	82.0	68 x 2.0	700323			
DN065	76.1 x 2.0	76.1	72.1	112.0	105.0	90 x 3.0	700326			
DN080	88.9 x 2.3	88.9	84.3	112.0	115.0	100 x 3.0	700329			
DN100	114.3 x 2.3	114.3	109.7	114.0	145.0	130 x 4.0	700310			



2.1.2 Steril-Gewindestutzen STERI-Connect®

aseptic threaded connecting piece (male part)



zusätzliche Oberflächenqualitäten analog Seite | additional surface qualities analog page 7

weitere Abmessungen auf Anfrage | further dimensions on request

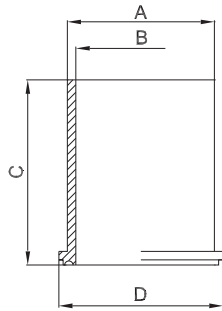
DIN	Abmessung dimension	A	B	C	E (M)	MB 1.4435			
DN006	8.0 x 1.0	8.0	6.0	36.0	16 x 1.5	705205			
DN008	10.0 x 1.0	10.0	8.0	36.0	18 x 1.5	704503			
DN010	12.0 x 1.0	12.0	10.0	37.0	22 x 1.5	700059			
DN010	13.0 x 1.5	13.0	10.0	37.0	22 x 1.5	709523			
DN015	19.0 x 1.5	19.0	16.0	37.0	30 x 1.5	703799			
DN020	23.0 x 1.5	23.0	20.0	39.0	36 x 2.0	700064			
DN025	29.0 x 1.5	29.0	26.0	44.0	42 x 2.0	700066			
DN032	35.0 x 1.5	35.0	32.0	45.0	52 x 2.0	700068			
DN040	41.0 x 1.5	41.0	38.0	46.0	56 x 2.0	700070			
DN050	53.0 x 1.5	53.0	50.0	47.0	68 x 2.0	700072			
DN065	70.0 x 2.0	70.0	66.0	64.0	90 x 3.0	700075			
DN080	85.0 x 2.0	85.0	81.0	64.0	100 x 3.0	700078			
DN100	104.0 x 2.0	104.0	100.0	66.0	130 x 4.0	700061			

ISO	Abmessung dimension	A	B	C	E (M)	MB 1.4435			
DN008	13.5 x 1.6	13.5	10.3	37.0	22 x 1.5	700077			
DN010	17.2 x 1.6	17.2	14.0	37.0	26 x 1.5	700060			
DN015	21.3 x 1.6	21.3	18.1	37.0	30 x 1.5	700063			
DN020	26.9 x 1.6	26.9	23.7	39.0	36 x 2.0	700065			
DN025	33.7 x 2.0	33.7	29.7	44.0	42 x 2.0	700067			
DN032	42.4 x 2.0	42.4	38.4	45.0	52 x 2.0	700069			
DN040	48.3 x 2.0	48.3	44.3	46.0	56 x 2.0	700071			
DN050	60.3 x 2.0	60.3	56.3	47.0	68 x 2.0	700073			
DN065	76.1 x 2.0	76.1	72.1	64.0	90 x 3.0	700076			
DN080	88.9 x 2.3	88.9	84.3	64.0	100 x 3.0	700079			
DN100	114.3 x 2.3	114.3	109.7	66.0	130 x 4.0	700062			



2.1.3 Steril-Bundstutzen STERI-Connect®

aseptic liner



weitere Abmessungen auf Anfrage | further dimensions on request

zusätzliche Oberflächenqualitäten analog Seite | additional surface qualities analog page 7

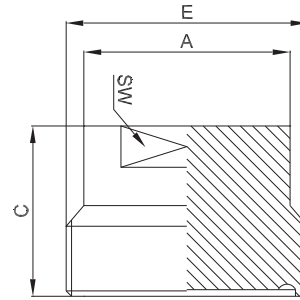
DIN	Abmessung dimension	A	B	C	D	MB 1.4435			
DN006	8.0 x 1.0	8.0	6.0	33.0	13.0	705204			
DN008	10.0 x 1.0	10.0	8.0	33.0	15.0	700033			
DN010	12.0 x 1.0	12.0	10.0	33.0	19.0	700102			
DN010	13.0 x 1.5	13.0	10.0	33.0	19.0	709767			
DN015	19.0 x 1.5	19.0	16.0	33.0	27.0	700104			
DN020	23.0 x 1.5	23.0	20.0	33.0	33.0	700105			
DN025	29.0 x 1.5	29.0	26.0	39.0	39.0	700106			
DN032	35.0 x 1.5	35.0	32.0	39.0	49.0	700107			
DN040	41.0 x 1.5	41.0	38.0	39.0	53.0	700108			
DN050	53.0 x 1.5	53.0	50.0	39.0	65.0	700109			
DN065	70.0 x 2.0	70.0	66.0	50.0	85.0	700110			
DN080	85.0 x 2.0	85.0	81.0	50.0	95.0	700111			
DN100	104.0 x 2.0	104.0	100.0	50.0	124.0	700103			

ISO	Abmessung dimension	A	B	C	D	MB 1.4435			
DN008	13.5 x 1.6	13.5	10.3	33.0	19.0	700035			
DN010	17.2 x 1.6	17.2	14.0	33.0	23.0	700025			
DN015	21.3 x 1.6	21.3	18.1	33.0	27.0	700027			
DN020	26.9 x 1.6	26.9	23.7	33.0	33.0	700028			
DN025	33.7 x 2.0	33.7	29.7	39.0	39.0	700029			
DN032	42.4 x 2.0	42.4	38.4	39.0	49.0	700030			
DN040	48.3 x 2.0	48.3	44.3	39.0	53.0	702499			
DN050	60.3 x 2.0	60.3	56.3	39.0	65.0	700032			
DN065	76.1 x 2.0	76.1	72.1	50.0	85.0	700034			
DN080	88.9 x 2.3	88.9	84.3	50.0	95.0	700036			
DN100	114.3 x 2.3	114.3	109.7	50.0	124.0	700026			



2.1.4 Steril-Blindgewindestutzen STERI-Connect®

aseptic blind threaded connecting piece (male part)



zusätzliche Oberflächenqualitäten analog Seite | additional surface qualities analog page 7

weitere Abmessungen auf Anfrage | further dimensions on request

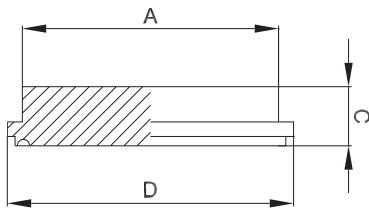
DIN	Abmessung dimension	A	C	E (M)	SW	MB 1.4435			
DN006	8.0 x 1.0	8.0	26.0	16 x 1.5	10.0	700018			
DN008	10.0 x 1.0	10.0	26.0	18 x 1.5	10.0	700020			
DN010	12.0 x 1.0	12.0	27.0	22 x 1.5	14.0	700022			
DN010	13.0 x 1.5	13.0	27.0	22 x 1.5	14.0	709836			
DN015	19.0 x 1.5	19.0	27.0	30 x 1.5	16.0	700011			
DN020	23.0 x 1.5	23.0	27.0	36 x 2.0	20.0	700012			
DN025	29.0 x 1.5	29.0	27.0	42 x 2.0	24.0	700013			
DN032	35.0 x 1.5	35.0	29.0	52 x 2.0	30.0	700015			
DN040	41.0 x 1.5	41.0	30.0	56 x 2.0	36.0	700016			
DN050	53.0 x 1.5	53.0	30.0	68 x 2.0	36.0	700017			
DN065	70.0 x 2.0	70.0	38.0	90 x 3.0	36.0	700019			
DN080	85.0 x 2.0	85.0	38.0	100 x 3.0	36.0	700021			
DN100	104.0 x 2.0	104.0	40.0	130 x 4.0	36.0	700010			

ISO	Abmessung dimension	A	C	E (M)	SW	MB 1.4435			
DN008	13.5 x 1.6	13.5	27.0	22 x 1.5	10.0	700024			
DN010	17.2 x 1.6	17.2	27.0	26 x 1.5	14.0	700009			
DN015	21.3 x 1.6	21.3	26.0	30 x 1.5	16.0	703794			
DN020	26.9 x 1.6	26.9	28.0	36 x 2.0	20.0	703116			
DN025	33.7 x 2.0	33.7	29.0	42 x 2.0	24.0	703117			
DN032	42.4 x 2.0	42.4	30.0	52 x 2.0	30.0	703121			
DN040	48.3 x 2.0	48.3	30.0	56 x 2.0	36.0	703119			
DN050	60.3 x 2.0	60.3	31.0	68 x 2.0	36.0	703118			
DN065	76.1 x 2.0	76.1	38.0	90 x 3.0	36.0	703120			
DN080	88.9 x 2.3	88.9	38.0	100 x 3.0	36.0	703115			
DN100	114.3 x 2.3	114.3	40.0	130 x 4.0	36.0	703114			



2.1.5 Steril-Blindbundstutzen STERI-Connect®

aseptic blind liner



weitere Abmessungen auf Anfrage | further dimensions on request

zusätzliche Oberflächenqualitäten analog Seite | additional surface qualities analog page 7

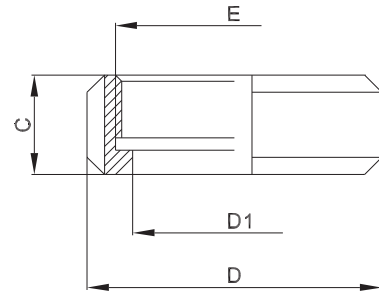
DIN	Abmessung dimension	A	C	D			MB 1.4435			
DN006	8.0 x 1.0	8.0	9.0	13.0			705215			
DN008	10.0 x 1.0	10.0	9.0	15.0			705216			
DN010	12.0 x 1.0	12.0	9.0	19.0			700080			
DN010	13.0 x 1.5	13.0	9.0	19.0			709837			
DN015	19.0 x 1.5	19.0	9.0	27.0			700084			
DN020	23.0 x 1.5	23.0	9.0	33.0			700086			
DN025	29.0 x 1.5	29.0	10.0	39.0			700088			
DN032	35.0 x 1.5	35.0	10.0	49.0			700090			
DN040	41.0 x 1.5	41.0	10.0	53.0			700092			
DN050	53.0 x 1.5	53.0	10.0	65.0			700094			
DN065	70.0 x 2.0	70.0	11.0	85.0			700097			
DN080	85.0 x 2.0	85.0	11.0	95.0			700100			
DN100	104.0 x 2.0	104.0	11.0	124.0			700082			

ISO	Abmessung dimension	A	C	D			MB 1.4435			
DN008	13.5 x 1.6	13.5	9.0	19.0			700099			
DN010	17.2 x 1.6	17.2	9.0	23.0			700081			
DN015	21.3 x 1.6	21.3	9.0	27.0			700085			
DN020	26.9 x 1.6	26.9	9.0	33.0			700087			
DN025	33.7 x 2.0	33.7	10.0	39.0			700089			
DN032	42.4 x 2.0	42.4	10.0	49.0			700091			
DN040	48.3 x 2.0	48.3	10.0	53.0			700093			
DN050	60.3 x 2.0	60.3	10.0	65.0			700095			
DN065	76.1 x 2.0	76.1	11.0	85.0			700098			
DN080	88.9 x 2.3	88.9	11.0	95.0			700101			
DN100	114.3 x 2.3	114.3	11.0	124.0			700083			



2.1.6 Steril-Nutmutter STERI-Connect®

aseptic nut



weitere Abmessungen auf Anfrage | further dimensions on request

DIN	Abmessung dimension	C	D	D1	E (M)		1.4301/07 304			
DN006	8.0 x 1.0	14.0	SW19	8.5	16 x 1.5		705213			
DN008	10.0 x 1.0	14.0	SW22	10.5	18 x 1.5		705212			
DN010	12.0 x 1.0	15.0	SW27	12.5	22 x 1.5		700260			
DN010	13.0 x 1.5	15.0	SW27	13.5	22 x 1.5		709957			
DN015	19.0 x 1.5	15.5	42.0	19.5	30 x 1.5		700264			
DN020	23.0 x 1.5	17.0	48.0	23.5	36 x 2.0		700266			
DN025	29.0 x 1.5	18.0	55.0	29.5	42 x 2.0		700268			
DN032	35.0 x 1.5	19.0	65.0	35.5	52 x 2.0		700270			
DN040	41.0 x 1.5	21.0	70.0	41.5	56 x 2.0		700272			
DN050	53.0 x 1.5	21.0	82.0	53.5	68 x 2.0		700274			
DN065	70.0 x 2.0	27.0	105.0	70.5	90 x 3.0		700277			
DN080	85.0 x 2.0	27.0	115.0	85.5	100 x 3.0		700280			
DN100	104.0 x 2.0	29.0	145.0	104.5	130 x 4.0		700262			

ISO	Abmessung dimension	C	D	D1	E (M)		1.4301/07 304			
DN008	13.5 x 1.6	15.0	SW27	14.0	22 x 1.5		700279			
DN010	17.2 x 1.6	15.5	SW30	17.7	26 x 1.5		700261			
DN015	21.3 x 1.6	15.5	42.0	21.8	30 x 1.5		700265			
DN020	26.9 x 1.6	17.0	48.0	27.4	36 x 2.0		700267			
DN025	33.7 x 2.0	18.0	55.0	34.2	42 x 2.0		700269			
DN032	42.4 x 2.0	19.0	65.0	42.9	52 x 2.0		700271			
DN040	48.3 x 2.0	21.0	70.0	48.8	56 x 2.0		700273			
DN050	60.3 x 2.0	21.0	82.0	60.8	68 x 2.0		700275			
DN065	76.1 x 2.0	27.0	105.0	76.6	90 x 3.0		700278			
DN080	88.9 x 2.3	27.0	115.0	89.4	100 x 3.0		700281			
DN100	114.3 x 2.3	29.0	145.0	114.8	130 x 4.0		700263			



Legende

- A Außendurchmesser
- B Innendurchmesser
- C Gesamtlänge
- D größter Außendurchmesser
- D1 Innendurchmesser (Nutmutter)
- E (Rund-) Gewinde (Rd)
- SW Schlüsselweite

Abmessungen

- DIN 11866-A (DIN 11850)
- DIN 11866-B (EN ISO 1127)
- DIN 11866-C (ASME BPE)

Normative Verweisungen, Anforderungen / Abnahmen (Vormaterial)

- DIN 11864
- DIN 405-1/-2
- BN2 (gültig für Bauteile in 1.4435)
- EN 10088-1/-3
- EN 10204
- EN 10222-5 (Rohlinge)
- EN 10254 (Rohlinge)
- EN 10272
- ASTM A276
- ASTM A182/A182M / ASME SA182/SA182M
- ASTM A479/A479M / ASME SA479/SA479M
- ASME SA336 (Rohlinge)
- AD 2000-W2

Kennzeichnung

Hersteller, Werkstoff, Abmessung, Schmelze, DIN 11864

Toleranzen (Bezugsnorm)

DIN 11864 / ISO 2768-1 / DIN 405-2

Verpackung

Schweißenden mit Kunststoffkappen verschlossen, einzeln verpackt.

Werkstoffe

- 1.4435 / 1.4404 (mediumberührt)
- 1.4301/07 (nicht mediumberührt)
- EPDM (Standard)

weitere Werkstoffe auf Anfrage

Oberflächenbeschaffenheit ("MB")

innen: feinstgedreht, Ra < 0.8 µm
 außen: feingedreht, Ra < 1.6 µm



Oberflächenqualitäten | surface qualities

Innenoberfläche internal surface finish	(Zusatz-) Artikel-Nr. (additional) order No
Ra < 0.6 µm (STERI-line®)	999279
Ra < 0.5 µm (STERI-line®)	999280
Ra < 0.4 µm (HQ-line®)	999281
Ra < 0.25 µm (HQ-line®)	999283



Zubehör ab Seite 75 | accessories from page 75 on

Key

- external diameter
- internal diameter
- total length
- biggest external diameter
- internal diameter (nut)
- (round) thread (Rd)
- width across flats (A/F)

Dimensions

- DIN 11866-A (DIN 11850)
- DIN 11866-B (EN ISO 1127)
- DIN 11866-C (ASME BPE)

Normative References, Requirements / Approvals (raw material)

- DIN 11864
- DIN 405-1/-2
- BN2 (valid for components in 1.4435)
- EN 10088-1/-3
- EN 10204
- EN 10222-5 (forgings)
- EN 10254 (forgings)
- EN 10272
- ASTM A276
- ASTM A182/A182M / ASME SA182/SA182M
- ASTM A479/A479M / ASME SA479/SA479M
- ASME SA336 (forgings)
- AD 2000-W2

Marking

manufacturer, material, dimension, heat, DIN 11864

Tolerances (reference standard)

DIN 11864 / ISO 2768-1 / DIN 405-2

Packaging

Welding ends covered with plastic caps, wrapped separately.

Materials

- 316L (at medium contact surface)
- 304 (not at medium contact surface)
- EPDM (standard)

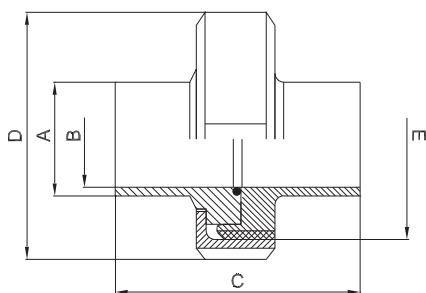
further materials on request

Surface condition ("MB")

inside: ultra-fine turned, Ra < 0.8 µm
 outside: refined turned, Ra < 1.6 µm

Bestellbeispiel | ordering example

Artikelbezeichnung + Ausführungen article description + variants	Artikel-Nr. order No
Steril-Verschraubung DN025 ISO (1.4435, EPDM) aseptic screwed pipe connection DIN 11864-1-A	707420
e-polier e-polished	
Ra < 0.25 µm	+ 999283



weitere Abmessungen auf Anfrage | further dimensions on request

DIN	Abmessung dimension	A	B	C	D	E (Rd)	MB 1.4435	e-pol. 1.4435	MB 1.4404	e-pol. 1.4404
DN010*	12.0 x 1.0	12.0	10.0	76.0	38.0	28 x 1/8"	708064	709977	XXX	XXX
DN010	13.0 x 1.5	13.0	10.0	76.0	38.0	28 x 1/8"	704277	709978	705156	709988
DN015	19.0 x 1.5	19.0	16.0	76.0	44.0	34 x 1/8"	704279	709979	705157	709989
DN020	23.0 x 1.5	23.0	20.0	76.0	54.0	44 x 1/8"	704281	709980	705158	709990
DN025	29.0 x 1.5	29.0	26.0	77.0	63.0	52 x 1/8"	704283	709981	705159	709991
DN032	35.0 x 1.5	35.0	32.0	88.0	70.0	58 x 1/8"	704285	709982	705160	709992
DN040	41.0 x 1.5	41.0	38.0	88.0	78.0	65 x 1/8"	704287	709983	705161	709993
DN050	53.0 x 1.5	53.0	50.0	89.0	92.0	78 x 1/8"	704289	709984	705162	709994
DN065	70.0 x 2.0	70.0	66.0	113.0	112.0	95 x 1/8"	704292	709985	705163	709995
DN080	85.0 x 2.0	85.0	81.0	117.0	127.0	110 x 1/4"	704293	709986	705164	709996
DN100	104.0 x 2.0	104.0	100.0	120.0	148.0	130 x 1/4"	704295	709987	705165	709997

ISO	Abmessung dimension	A	B	C	D	E (Rd)	MB 1.4435	e-pol. 1.4435	MB 1.4404	e-pol. 1.4404
DN008	13.5 x 1.6	13.5	10.3	76.0	38.0	28 x 1/8"	704635	707416	707342	707427
DN010	17.2 x 1.6	17.2	14.0	76.0	44.0	34 x 1/8"	704278	707417	707344	707428
DN015	21.3 x 1.6	21.3	18.1	78.0	54.0	44 x 1/8"	704280	707418	705166	707429
DN020	26.9 x 1.6	26.9	23.7	78.0	63.0	52 x 1/8"	704282	707419	705167	707430
DN025	33.7 x 2.0	33.7	29.7	88.0	70.0	58 x 1/8"	704284	707420	705168	707431
DN032	42.4 x 2.0	42.4	38.4	88.0	78.0	65 x 1/8"	704286	707421	705169	707432
DN040	48.3 x 2.0	48.3	44.3	90.0	92.0	78 x 1/8"	704288	707422	704920	707433
DN050	60.3 x 2.0	60.3	56.3	114.0	112.0	95 x 1/8"	704290	707423	705170	707434
DN065	76.1 x 2.0	76.1	72.1	117.0	127.0	110 x 1/4"	704276	707424	705171	707435
DN080	88.9 x 2.3	88.9	84.3	122.0	148.0	130 x 1/4"	704294	707425	705172	707436
DN100*	114.3 x 2.3	114.3	109.7	130.0	178.0	160 x 1/4"	704296	707426	705173	707437

ASME BPE	Abmessung dimension	A	B	C	D	E (Rd)	MB 1.4435	e-pol. 1.4435	MB 1.4404	e-pol. 1.4404
DN 1/2"	12.7 x 1.65	12.7	9.4	76.0	38.0	28 x 1/8"	704648	710002	709920	710010
DN 3/4"	19.05 x 1.65	19.05	15.75	76.0	44.0	34 x 1/8"	704649	710003	709921	710011
DN 1"	25.4 x 1.65	25.4	22.1	77.0	63.0	52 x 1/8"	704650	710004	705174	710012
DN 1 1/2"	38.1 x 1.65	38.1	34.8	88.0	78.0	65 x 1/8"	704651	710005	705175	710013
DN 2"	50.8 x 1.65	50.8	47.5	89.0	92.0	78 x 1/8"	704652	710006	705176	710014
DN 2 1/2"	63.5 x 1.65	63.5	60.2	115.0	112.0	95 x 1/8"	704653	710007	705177	710015
DN 3"	76.2 x 1.65	76.2	72.9	117.0	127.0	110 x 1/4"	704654	710008	705178	710016
DN 4"	101.6 x 2.11	101.6	97.38	119.0	148.0	130 x 1/4"	704655	710009	705179	710017

*) nicht in der DIN-Norm enthalten | non-standard

**Legende**

- A Außendurchmesser
- B Innendurchmesser
- C Gesamtlänge
- D größter Außendurchmesser
- D1 Innendurchmesser (Nutmutter)
- E (Rund-) Gewinde (Rd)
- SW Schlüsselweite

Abmessungen

- DIN 11866-A (DIN 11850)
- DIN 11866-B (EN ISO 1127)
- DIN 11866-C (ASME BPE)

Normative Verweisungen,**Anforderungen / Abnahmen (Vormaterial)**

- DIN 11853
- EN 10088-1/-3
- EN 10204
- EN 10222-5 (Rohlinge)
- EN 10254 (Rohlinge)
- EN 10272
- ASTM A276
- ASTM A182/A182M / ASME SA182/SA182M
- ASTM A479/A479M / ASME SA479/SA479M
- ASME SA336 (Rohlinge)
- AD 2000-W2

Kennzeichnung

- Hersteller, Werkstoff, Abmessung, Schmelze,
- DIN 11853

Toleranzen (Bezugsnorm)

- DIN 11853 / ISO 2768-1 / DIN 405-2

Verpackung

- Schweißenden mit Kunststoffkappen verschlossen,
- einzelner verpackt.

Werkstoffe

- 1.4404 (mediumberührt)
- 1.4301/07 (nicht mediumberührt)
- EPDM (Standard)

weitere Werkstoffe auf Anfrage**Oberflächenbeschaffenheit ("MB")**

- innen: feinstgedreht, Ra < 0.8 µm
- außen: feingedreht, Ra < 1.6 µm

Key

- external diameter
- internal diameter
- total length
- biggest external diameter
- internal diameter (nut)
- (round) thread (Rd)
- width across flats (A/F)

Dimensions

- DIN 11866-A (DIN 11850)
- DIN 11866-B (EN ISO 1127)
- DIN 11866-C (ASME BPE)

Normative References,**Requirements / Approvals (raw material)**

- DIN 11853
- EN 10088-1/-3
- EN 10204
- EN 10222-5 (forgings)
- EN 10254 (forgings)
- EN 10272
- ASTM A276
- ASTM A182/A182M / ASME SA182/SA182M
- ASTM A479/A479M / ASME SA479/SA479M
- ASME SA336 (forgings)
- AD 2000-W2

Marking

- manufacturer, material, dimension, heat,
- DIN 11853

Tolerances (reference standard)

- DIN 11853 / ISO 2768-1 / DIN 405-2

Packaging

- Welding ends covered with plastic caps,
- wrapped separately.

Materials

- 316L (at medium contact surface)
- 304 (not at medium contact surface)
- EPDM (standard)

further materials on request**Surface condition ("MB")**

- inside: ultra-fine turned, Ra < 0.8 µm
- outside: refined turned, Ra < 1.6 µm

**Oberflächenqualitäten | surface qualities**

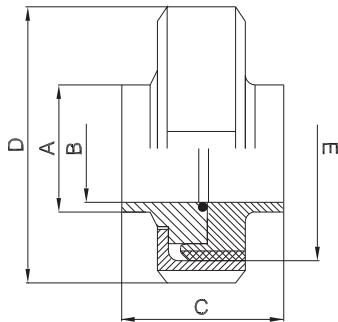
Innenoberfläche internal surface finish	(Zusatz-) Artikel-Nr. (additional) order No
e-poliert e-polished	999277
Ra < 0.6 µm (STERI-line®)	999279
Ra < 0.5 µm (STERI-line®)	999280
Ra < 0.4 µm (HQ-line®)	999281
Ra < 0.25 µm (HQ-line®)	999283

Bestellbeispiel | ordering example

Artikelbezeichnung + Ausführungen article description + variants	Artikel-Nr. order No
Hygiene-Verschraubung DN025 ISO (1.4404, EPDM) hygienic screwed pipe connection DIN 11853-1	706254
e-poliert e-polished	+ 999277
Ra < 0.25 µm	+ 999283



Zubehör ab Seite 75 | accessories from page 75 on



weitere Abmessungen auf Anfrage | further dimensions on request

DIN	Abmessung dimension	A	B	C	D	E (Rd)	MB 1.4404			
DN010	13.0 x 1.5	13.0	10.0	32.0	38.0	28 x 1/8"	705840			
DN015	19.0 x 1.5	19.0	16.0	32.0	44.0	34 x 1/8"	705841			
DN020	23.0 x 1.5	23.0	20.0	34.0	54.0	44 x 1/6"	705842			
DN025	29.0 x 1.5	29.0	26.0	42.0	63.0	52 x 1/6"	705843			
DN032	35.0 x 1.5	35.0	32.0	48.0	70.0	58 x 1/6"	705844			
DN040	41.0 x 1.5	41.0	38.0	50.0	78.0	65 x 1/6"	705845			
DN050	53.0 x 1.5	53.0	50.0	54.0	92.0	78 x 1/6"	705846			
DN065	70.0 x 2.0	70.0	66.0	62.0	112.0	95 x 1/6"	705847			
DN080	85.0 x 2.0	85.0	81.0	72.0	127.0	110 x 1/4"	705848			
DN100	104.0 x 2.0	104.0	100.0	86.0	148.0	130 x 1/4"	705849			

ISO	Abmessung dimension	A	B	C	D	E (Rd)	MB 1.4404			
DN008	13.5 x 1.6	13.5	10.3	32.0	38.0	28 x 1/8"	707343			
DN010	17.2 x 1.6	17.2	14.0	32.0	44.0	34 x 1/8"	707345			
DN015	21.3 x 1.6	21.3	18.1	34.0	54.0	44 x 1/6"	706252			
DN020	26.9 x 1.6	26.9	23.7	42.0	63.0	52 x 1/6"	706253			
DN025	33.7 x 2.0	33.7	29.7	48.0	70.0	58 x 1/6"	706254			
DN032	42.4 x 2.0	42.4	38.4	50.0	78.0	65 x 1/6"	706255			
DN040	48.3 x 2.0	48.3	44.3	54.0	92.0	78 x 1/6"	706256			
DN050	60.3 x 2.0	60.3	56.3	62.0	112.0	95 x 1/6"	706257			
DN065	76.1 x 2.0	76.1	72.1	72.0	127.0	110 x 1/4"	706258			
DN080	88.9 x 2.3	88.9	84.3	86.0	148.0	130 x 1/4"	706259			
DN100	114.3 x 2.3	114.3	109.7	86.0	178.0	160 x 1/4"	707448			

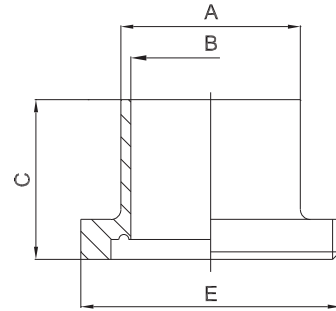
ASME BPE	Abmessung dimension	A	B	C	D	E (Rd)	MB 1.4404			
DN 1/2"	12.7 x 1.65	12.7	9.4	32.0	38.0	28 x 1/8"	709922			
DN 3/4"	19.05 x 1.65	19.05	15.75	32.0	44.0	34 x 1/8"	709923			
DN 1"	25.4 x 1.65	25.4	22.1	42.0	63.0	52 x 1/6"	706260			
DN 1 1/2"	38.1 x 1.65	38.1	34.8	50.0	78.0	65 x 1/6"	706261			
DN 2"	50.8 x 1.65	50.8	47.5	54.0	92.0	78 x 1/6"	706262			
DN 2 1/2"	63.5 x 1.65	63.5	60.2	62.0	112.0	95 x 1/6"	706263			
DN 3"	76.2 x 1.65	76.2	72.9	72.0	127.0	110 x 1/4"	706264			
DN 4"	101.6 x 2.11	101.6	97.38	86.0	148.0	130 x 1/4"	706265			

*) nicht in der DIN-Norm enthalten | non-standard



2.2.2 S Steril-Gewindestutzen DIN 11864-1-A

aseptic threaded connecting piece (male part)



zusätzliche Oberflächenqualitäten analog Seite | additional surface qualities analog page 14

weitere Abmessungen auf Anfrage | further dimensions on request

DIN	Abmessung dimension	A	B	C	E (Rd)	MB 1.4435	e-pol. 1.4435	MB 1.4404	e-pol. 1.4404
DN010*	12.0 x 1.0	12.0	10.0	41.0	28 x 1/8"	704006	710068	XXX	XXX
DN010	13.0 x 1.5	13.0	10.0	41.0	28 x 1/8"	703280	709540	705142	710069
DN015	19.0 x 1.5	19.0	16.0	41.0	34 x 1/8"	703002	709541	705076	710070
DN020	23.0 x 1.5	23.0	20.0	43.0	44 x 1/8"	703260	709542	705141	710071
DN025	29.0 x 1.5	29.0	26.0	43.0	52 x 1/8"	703276	709543	704921	710072
DN032	35.0 x 1.5	35.0	32.0	48.0	58 x 1/8"	703277	709544	704046	710073
DN040	41.0 x 1.5	41.0	38.0	48.0	65 x 1/8"	703278	709545	704949	710074
DN050	53.0 x 1.5	53.0	50.0	48.0	78 x 1/8"	703279	709546	704963	710075
DN065	70.0 x 2.0	70.0	66.0	60.0	95 x 1/8"	703282	709547	704962	710076
DN080	85.0 x 2.0	85.0	81.0	64.0	110 x 1/4"	703283	709548	704961	710077
DN100	104.0 x 2.0	104.0	100.0	64.0	130 x 1/4"	703284	709549	705143	710078

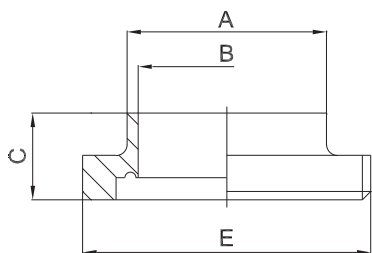
ISO	Abmessung dimension	A	B	C	E (Rd)	MB 1.4435	e-pol. 1.4435	MB 1.4404	e-pol. 1.4404
DN008	13.5 x 1.6	13.5	10.3	41.0	28 x 1/8"	704642	707350	707323	707361
DN010	17.2 x 1.6	17.2	14.0	41.0	34 x 1/8"	704641	707351	707324	707362
DN015	21.3 x 1.6	21.3	18.1	43.0	44 x 1/8"	703281	707352	705046	707363
DN020	26.9 x 1.6	26.9	23.7	43.0	52 x 1/8"	703285	707353	705491	707364
DN025	33.7 x 2.0	33.7	29.7	48.0	58 x 1/8"	703286	707354	705144	707365
DN032	42.4 x 2.0	42.4	38.4	48.0	65 x 1/8"	703287	707355	705145	707366
DN040	48.3 x 2.0	48.3	44.3	49.0	78 x 1/8"	703288	707356	704985	707367
DN050	60.3 x 2.0	60.3	56.3	60.0	95 x 1/8"	703289	707357	705146	707368
DN065	76.1 x 2.0	76.1	72.1	64.0	110 x 1/4"	703290	707358	705147	707369
DN080	88.9 x 2.3	88.9	84.3	64.0	130 x 1/4"	703291	707359	705148	707370
DN100*	114.3 x 2.3	114.3	109.7	68.0	160 x 1/4"	700039	707360	705149	707371

ASME BPE	Abmessung dimension	A	B	C	E (Rd)	MB 1.4435	e-pol. 1.4435	MB 1.4404	e-pol. 1.4404
DN 1/2"	12.7 x 1.65	12.7	9.4	41.0	28 x 1/8"	704640	710079	709907	710087
DN 3/4"	19.05 x 1.65	19.05	15.75	41.0	34 x 1/8"	704639	710080	709908	710088
DN 1"	25.4 x 1.65	25.4	22.1	43.0	52 x 1/8"	703292	710081	705150	710089
DN 1 1/2"	38.1 x 1.65	38.1	34.8	48.5	65 x 1/8"	703269	710082	705151	710090
DN 2"	50.8 x 1.65	50.8	47.5	48.5	78 x 1/8"	703293	710083	705152	710091
DN 2 1/2"	63.5 x 1.65	63.5	60.2	60.0	95 x 1/8"	703294	710084	705153	710092
DN 3"	76.2 x 1.65	76.2	72.9	64.0	110 x 1/4"	703295	710085	705154	710093
DN 4"	101.6 x 2.11	101.6	97.38	64.0	130 x 1/4"	703296	710086	705155	710094

*) nicht in der DIN-Norm enthalten | non-standard



hygienic threaded connecting piece (male part)



zusätzliche Oberflächenqualitäten analog Seite | additional surface qualities analog page 16

weitere Abmessungen auf Anfrage | further dimensions on request

DIN	Abmessung dimension	A	B	C	E (Rd)	MB 1.4404
DN010	13.0 x 1.5	13.0	10.0	19.0	28 x 1/8"	706275
DN015	19.0 x 1.5	19.0	16.0	19.0	34 x 1/8"	704092
DN020	23.0 x 1.5	23.0	20.0	21.0	44 x 1/8"	704095
DN025	29.0 x 1.5	29.0	26.0	26.0	52 x 1/8"	704048
DN032	35.0 x 1.5	35.0	32.0	30.0	58 x 1/8"	704974
DN040	41.0 x 1.5	41.0	38.0	31.0	65 x 1/8"	704950
DN050	53.0 x 1.5	53.0	50.0	31.0	78 x 1/8"	705631
DN065	70.0 x 2.0	70.0	66.0	36.0	95 x 1/8"	705632
DN080	85.0 x 2.0	85.0	81.0	42.0	110 x 1/4"	706276
DN100	104.0 x 2.0	104.0	100.0	50.0	130 x 1/4"	706277

ISO	Abmessung dimension	A	B	C	E (Rd)	MB 1.4404
DN008	13.5 x 1.6	13.5	10.3	19.0	28 x 1/8"	707325
DN010	17.2 x 1.6	17.2	14.0	19.0	34 x 1/8"	707326
DN015	21.3 x 1.6	21.3	18.1	21.0	44 x 1/8"	704966
DN020	26.9 x 1.6	26.9	23.7	26.0	52 x 1/8"	704945
DN025	33.7 x 2.0	33.7	29.7	30.0	58 x 1/8"	705621
DN032	42.4 x 2.0	42.4	38.4	31.0	65 x 1/8"	705606
DN040	48.3 x 2.0	48.3	44.3	31.0	78 x 1/8"	706278
DN050	60.3 x 2.0	60.3	56.3	36.0	95 x 1/8"	705607
DN065	76.1 x 2.0	76.1	72.1	42.0	110 x 1/4"	706279
DN080	88.9 x 2.3	88.9	84.3	50.0	130 x 1/4"	706280
DN100*	114.3 x 2.3	114.3	109.7	50.0	160 x 1/4"	707327

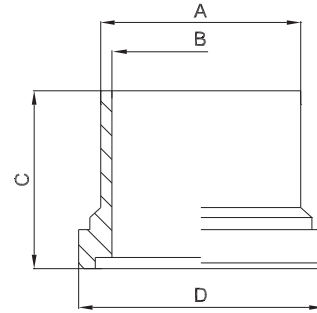
ASME BPE	Abmessung dimension	A	B	C	E (Rd)	MB 1.4404
DN 1/2"	12.7 x 1.65	12.7	9.4	19.0	28 x 1/8"	709911
DN 3/4"	19.05 x 1.65	19.05	15.75	19.0	34 x 1/8"	709912
DN 1"	25.4 x 1.65	25.4	22.1	26.0	52 x 1/8"	706281
DN 1 1/2"	38.1 x 1.65	38.1	34.8	31.0	65 x 1/8"	706282
DN 2"	50.8 x 1.65	50.8	47.5	31.0	78 x 1/8"	706283
DN 2 1/2"	63.5 x 1.65	63.5	60.2	36.0	95 x 1/8"	706284
DN 3"	76.2 x 1.65	76.2	72.9	42.0	110 x 1/4"	706285
DN 4"	101.6 x 2.11	101.6	97.38	50.0	130 x 1/4"	706286

*) nicht in der DIN-Norm enthalten | non-standard



2.2.3 S Steril-Bundstutzen DIN 11864-1-A

aseptic liner



zusätzliche Oberflächenqualitäten analog Seite | additional surface qualities analog page 14

weitere Abmessungen auf Anfrage | further dimensions on request

DIN	Abmessung dimension	A	B	C	D		MB 1.4435	e-pol. 1.4435	MB 1.4404	e-pol. 1.4404
DN010*	12.0 x 1.0	12.0	10.0	39.0	21.9		706780	710018	XXX	XXX
DN010	13.0 x 1.5	13.0	10.0	39.0	21.9		703250	705695	705123	710019
DN015	19.0 x 1.5	19.0	16.0	39.0	27.9		703251	709550	705602	710020
DN020	23.0 x 1.5	23.0	20.0	38.0	35.9		703252	709551	704045	710021
DN025	29.0 x 1.5	29.0	26.0	40.0	42.9		703253	709552	704978	710022
DN032	35.0 x 1.5	35.0	32.0	47.0	48.9		703254	709553	705124	710023
DN040	41.0 x 1.5	41.0	38.0	47.0	54.9		703255	709554	705086	710024
DN050	53.0 x 1.5	53.0	50.0	48.0	66.9		703256	709555	705125	710025
DN065	70.0 x 2.0	70.0	66.0	61.0	84.9		703257	709556	704975	710026
DN080	85.0 x 2.0	85.0	81.0	61.0	98.9		703258	709557	705126	710027
DN100	104.0 x 2.0	104.0	100.0	66.0	118.9		703258	709558	705025	710028

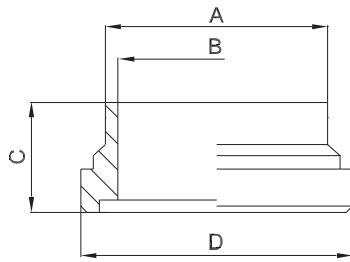
ISO	Abmessung dimension	A	B	C	D		MB 1.4435	e-pol. 1.4435	MB 1.4404	e-pol. 1.4404
DN008	13.5 x 1.6	13.5	10.3	39.0	21.9		704645	707383	707328	707394
DN010	17.2 x 1.6	17.2	14.0	39.0	27.9		704646	707384	707329	707395
DN015	21.3 x 1.6	21.3	18.1	40.0	35.9		703261	707385	705028	707396
DN020	26.9 x 1.6	26.9	23.7	41.0	42.9		703262	707386	705128	707397
DN025	33.7 x 2.0	33.7	29.7	47.0	48.9		703263	707387	705129	707398
DN032	42.4 x 2.0	42.4	38.4	47.0	54.9		703264	707388	705130	707399
DN040	48.3 x 2.0	48.3	44.3	48.0	66.9		703265	707389	705036	707400
DN050	60.3 x 2.0	60.3	56.3	62.0	84.9		703266	707390	705131	707401
DN065	76.1 x 2.0	76.1	72.1	61.0	98.9		703267	707391	705132	707402
DN080	88.9 x 2.3	88.9	84.3	68.0	118.9		703268	707392	705133	707403
DN100*	114.3 x 2.3	114.3	109.7	72.0	147.9		704647	707393	707330	707404

ASME BPE	Abmessung dimension	A	B	C	D		MB 1.4435	e-pol. 1.4435	MB 1.4404	e-pol. 1.4404
DN 1/2"	12.7 x 1.65	12.7	9.4	39.0	21.9		704644	710029	709909	710037
DN 3/4"	19.05 x 1.65	19.05	15.75	39.0	27.9		704643	710030	709910	710038
DN 1"	25.4 x 1.65	25.4	22.1	40.0	42.9		703270	710031	705135	710039
DN 1 1/2"	38.1 x 1.65	38.1	34.8	46.5	54.9		703271	710032	705136	710040
DN 2"	50.8 x 1.65	50.8	47.5	47.5	66.9		703272	710033	705137	710041
DN 2 1/2"	63.5 x 1.65	63.5	60.2	63.0	84.9		703273	710034	705138	710042
DN 3"	76.2 x 1.65	76.2	72.9	61.0	98.9		703274	710035	705139	710043
DN 4"	101.6 x 2.11	101.6	97.38	65.0	118.9		703275	710036	705140	710044

*) nicht in der DIN-Norm enthalten | non-standard



hygienic liner



zusätzliche Oberflächenqualitäten analog Seite | additional surface qualities analog page 16

weitere Abmessungen auf Anfrage | further dimensions on request

DIN	Abmessung dimension	A	B	C	D	MB 1.4404			
DN010	13.0 x 1.5	13.0	10.0	17.0	21.9	704234			
DN015	19.0 x 1.5	19.0	16.0	17.0	27.9	704037			
DN020	23.0 x 1.5	23.0	20.0	18.0	35.9	704089			
DN025	29.0 x 1.5	29.0	26.0	22.0	42.9	704233			
DN032	35.0 x 1.5	35.0	32.0	25.0	48.9	704047			
DN040	41.0 x 1.5	41.0	38.0	26.0	54.9	704793			
DN050	53.0 x 1.5	53.0	50.0	30.0	66.9	705633			
DN065	70.0 x 2.0	70.0	66.0	34.0	84.9	705634			
DN080	85.0 x 2.0	85.0	81.0	38.0	98.9	706287			
DN100	104.0 x 2.0	104.0	100.0	46.0	118.9	706288			

ISO	Abmessung dimension	A	B	C	D	MB 1.4404			
DN008	13.5 x 1.6	13.5	10.3	17.0	21.9	707331			
DN010	17.2 x 1.6	17.2	14.0	17.0	27.9	707332			
DN015	21.3 x 1.6	21.3	18.1	18.0	35.9	705608			
DN020	26.9 x 1.6	26.9	23.7	22.0	42.9	706036			
DN025	33.7 x 2.0	33.7	29.7	25.0	48.9	705609			
DN032	42.4 x 2.0	42.4	38.4	26.0	54.9	705610			
DN040	48.3 x 2.0	48.3	44.3	30.0	66.9	705611			
DN050	60.3 x 2.0	60.3	56.3	34.0	84.9	705027			
DN065	76.1 x 2.0	76.1	72.1	38.0	98.9	706289			
DN080	88.9 x 2.3	88.9	84.3	46.0	118.9	706290			
DN100*	114.3 x 2.3	114.3	109.7	46.0	147.9	707333			

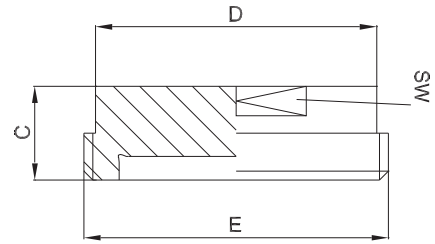
ASME BPE	Abmessung dimension	A	B	C	D	MB 1.4404			
DN 1/2"	12.7 x 1.65	12.7	9.4	17.0	21.9	709913			
DN 3/4"	19.05 x 1.65	19.05	15.75	17.0	27.9	709914			
DN 1"	25.4 x 1.65	25.4	22.1	22.0	42.9	706291			
DN 1 1/2"	38.1 x 1.65	38.1	34.8	26.0	54.9	706292			
DN 2"	50.8 x 1.65	50.8	47.5	30.0	66.9	706293			
DN 2 1/2"	63.5 x 1.65	63.5	60.2	34.0	84.9	706294			
DN 3"	76.2 x 1.65	76.2	72.9	38.0	98.9	706295			
DN 4"	101.6 x 2.11	101.6	97.38	46.0	118.9	706296			

*) nicht in der DIN-Norm enthalten | non-standard



2.2.4 Blindgewindestutzen DIN 11864-1-A/DIN 11853-1

blind threaded connecting piece (male part)



zusätzliche Oberflächenqualitäten analog Seite | additional surface qualities analog page 16

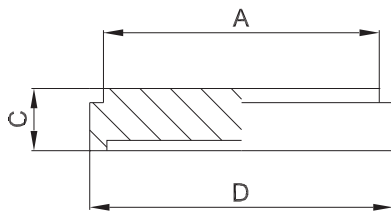
weitere Abmessungen auf Anfrage | further dimensions on request

DIN	Abmessung dimension	C	D	E (Rd)	SW	MB 1.4435	MB 1.4404		
DN010	13.0 x 1.5	24.0	23.0	28 x 1/8"	19.0	703403	705122		
DN015	19.0 x 1.5	24.0	28.0	34 x 1/8"	24.0	703404	705186		
DN020	23.0 x 1.5	24.0	34.0	44 x 1/6"	30.0	703405	705187		
DN025	29.0 x 1.5	24.0	44.0	52 x 1/6"	41.0	703406	705188		
DN032	35.0 x 1.5	24.0	53.0	58 x 1/6"	46.0	703407	705189		
DN040	41.0 x 1.5	24.0	60.0	65 x 1/6"	50.0	703408	705190		
DN050	53.0 x 1.5	24.0	72.0	78 x 1/6"	65.0	703409	705191		
DN065	70.0 x 2.0	28.0	87.0	95 x 1/6"	80.0	703410	705192		
DN080	85.0 x 2.0	28.0	100.0	110 x 1/4"	95.0	703411	705193		
DN100	104.0 x 2.0	30.0	120.0	130 x 1/4"	115.0	703412	705194		

ISO	Abmessung dimension	C	D	E (Rd)	SW	MB 1.4435	MB 1.4404		
DN008	13.5 x 1.6	24.0	23.0	28 x 1/8"	19.0	704717	709915		
DN010	17.2 x 1.6	24.0	28.0	34 x 1/8"	24.0	704716	709916		
DN015	21.3 x 1.6	24.0	34.0	44 x 1/6"	30.0	704718	705195		
DN020	26.9 x 1.6	24.0	44.0	52 x 1/6"	41.0	704719	705196		
DN025	33.7 x 2.0	24.0	53.0	58 x 1/6"	46.0	704720	705197		
DN032	42.4 x 2.0	24.0	60.0	65 x 1/6"	50.0	704721	705198		
DN040	48.3 x 2.0	24.0	72.0	78 x 1/6"	65.0	704722	705199		
DN050	60.3 x 2.0	28.0	87.0	95 x 1/6"	80.0	704723	705200		
DN065	76.1 x 2.0	28.0	100.0	110 x 1/4"	95.0	704724	705201		
DN080	88.9 x 2.3	30.0	120.0	130 x 1/4"	115.0	704725	705202		
DN100	114.3 x 2.3	38.0	150.0	160 x 1/4"	145.0	704726	705203		

ASME BPE	Abmessung dimension	C	D	E (Rd)	SW	MB 1.4435	MB 1.4404		
DN 1/2"	12.7 x 1.65	24.0	23.0	28 x 1/8"	19.0	704727	709917		
DN 3/4"	19.05 x 1.65	24.0	28.0	34 x 1/8"	24.0	704728	709918		
DN 1"	25.4 x 1.65	24.0	44.0	52 x 1/6"	41.0	704729	705180		
DN 1 1/2"	38.1 x 1.65	24.0	60.0	65 x 1/6"	50.0	704730	705181		
DN 2"	50.8 x 1.65	24.0	72.0	78 x 1/6"	65.0	704731	705182		
DN 2 1/2"	63.5 x 1.65	28.0	87.0	95 x 1/6"	80.0	704732	705183		
DN 3"	76.2 x 1.65	28.0	100.0	110 x 1/4"	95.0	704733	705184		
DN 4"	101.6 x 2.11	30.0	120.0	130 x 1/4"	115.0	704734	705185		

blind liner



weitere Abmessungen auf Anfrage | further dimensions on request

zusätzliche Oberflächenqualitäten analog Seite | additional surface qualities analog page 16

DIN	Abmessung dimension	A	C	D			MB 1.4435	MB 1.4404		
DN010	13.0 x 1.5	18.0	9.0	21.9			703413	705110		
DN015	19.0 x 1.5	24.0	9.0	27.9			703414	705109		
DN020	23.0 x 1.5	30.0	10.0	35.9			703415	705108		
DN025	29.0 x 1.5	35.0	12.0	42.9			703416	705021		
DN032	35.0 x 1.5	41.0	13.0	48.9			703417	705107		
DN040	41.0 x 1.5	48.0	13.0	54.9			703418	705023		
DN050	53.0 x 1.5	61.0	14.0	66.9			703419	705059		
DN065	70.0 x 2.0	79.0	16.0	84.9			703420	704965		
DN080	85.0 x 2.0	93.0	16.0	98.9			703421	704964		
DN100	104.0 x 2.0	114.0	20.0	118.9			703422	705024		

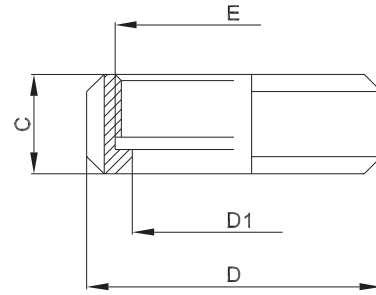
ISO	Abmessung dimension	A	C	D			MB 1.4435	MB 1.4404		
DN008	13.5 x 1.6	18.0	9.0	21.9			704700	709842		
DN010	17.2 x 1.6	24.0	9.0	27.9			704701	709843		
DN015	21.3 x 1.6	30.0	10.0	35.9			704594	705029		
DN020	26.9 x 1.6	35.0	12.0	42.9			704702	705111		
DN025	33.7 x 2.0	41.0	13.0	48.9			704534	704967		
DN032	42.4 x 2.0	48.0	13.0	54.9			704703	705112		
DN040	48.3 x 2.0	61.0	14.0	66.9			704704	705022		
DN050	60.3 x 2.0	79.0	16.0	84.9			704548	704992		
DN065	76.1 x 2.0	93.0	16.0	98.9			704705	705113		
DN080	88.9 x 2.3	114.0	20.0	118.9			704706	705114		
DN100	114.3 x 2.3	137.0	22.0	147.9			704707	709919		

ASME BPE	Abmessung dimension	A	C	D			MB 1.4435	MB 1.4404		
DN 1/2"	12.7 x 1.65	18.0	9.0	21.9			704708	709844		
DN 3/4"	19.05 x 1.65	24.0	9.0	27.9			704709	709845		
DN 1"	25.4 x 1.65	35.0	12.0	42.9			704710	705116		
DN 1 1/2"	38.1 x 1.65	48.0	13.0	54.9			704711	705117		
DN 2"	50.8 x 1.65	61.0	14.0	66.9			704712	705118		
DN 2 1/2"	63.5 x 1.65	79.0	16.0	84.9			704713	705119		
DN 3"	76.2 x 1.65	93.0	16.0	98.9			704714	705120		
DN 4"	101.6 x 2.11	114.0	20.0	118.9			704715	705121		



2.2.6 Nutmutter mit Freistich (DIN 11851-F)

nut with thread undercut



DIN	Abmessung dimension	C	D	D1	E (Rd)	1.4301/07 304	1.4404 316L		
DN010	13.0 x 1.5	18.0	38.0	19.0	28 x 1/8"	708892	701474		
DN015	19.0 x 1.5	18.0	44.0	25.0	34 x 1/8"	708667	701475		
DN020	23.0 x 1.5	20.0	54.0	31.0	44 x 1/6"	708881	701476		
DN025	29.0 x 1.5	21.0	63.0	36.0	52 x 1/6"	708300	701477		
DN032	35.0 x 1.5	21.0	70.0	42.0	58 x 1/6"	708668	701478		
DN040	41.0 x 1.5	21.0	78.0	49.0	65 x 1/6"	708787	701479		
DN050	53.0 x 1.5	22.0	92.0	62.0	78 x 1/6"	708656	701480		
DN065	70.0 x 2.0	25.0	112.0	80.0	95 x 1/6"	708882	701481		
DN080	85.0 x 2.0	29.0	127.0	94.0	110 x 1/4"	708883	701482		
DN100	104.0 x 2.0	31.0	148.0	115.0	130 x 1/4"	703495	701483		

ISO	Abmessung dimension	C	D	D1	E (Rd)	1.4301/07 304	1.4404 316L		
DN008	13.5 x 1.6	18.0	38.0	19.0	28 x 1/8"	708892	701474		
DN010	17.2 x 1.6	18.0	44.0	25.0	34 x 1/8"	708667	701475		
DN015	21.3 x 1.6	20.0	54.0	31.0	44 x 1/6"	708881	701476		
DN020	26.9 x 1.6	21.0	63.0	36.0	52 x 1/6"	708300	701477		
DN025	33.7 x 2.0	21.0	70.0	42.0	58 x 1/6"	708668	701478		
DN032	42.4 x 2.0	21.0	78.0	49.0	65 x 1/6"	708787	701479		
DN040	48.3 x 2.0	22.0	92.0	62.0	78 x 1/6"	708656	701480		
DN050	60.3 x 2.0	25.0	112.0	80.0	95 x 1/6"	708882	701481		
DN065	76.1 x 2.0	29.0	127.0	94.0	110 x 1/4"	708883	701482		
DN080	88.9 x 2.3	31.0	148.0	115.0	130 x 1/4"	703495	701483		
DN100	114.3 x 2.3	35.0	178.0	138.0	160 x 1/4"	702977	701484		

ASME BPE	Abmessung dimension	C	D	D1	E (Rd)	1.4301/07 304	1.4404 316L		
DN 1/2"	12.7 x 1.65	18.0	38.0	19.0	28 x 1/8"	708892	701474		
DN 3/4"	19.05 x 1.65	18.0	44.0	25.0	34 x 1/8"	708667	701475		
DN 1"	25.4 x 1.65	21.0	63.0	36.0	52 x 1/6"	708300	701477		
DN 1 1/2"	38.1 x 1.65	21.0	78.0	49.0	65 x 1/6"	708787	701479		
DN 2"	50.8 x 1.65	22.0	92.0	62.0	78 x 1/6"	708656	701480		
DN 2 1/2"	63.5 x 1.65	25.0	112.0	80.0	95 x 1/6"	708882	701481		
DN 3"	76.2 x 1.65	29.0	127.0	94.0	110 x 1/4"	708883	701482		
DN 4"	101.6 x 2.11	31.0	148.0	115.0	130 x 1/4"	703495	701483		

Legende

- A Außendurchmesser
- B Innendurchmesser
- C Gesamtlänge
- D Flansch-Außendurchmesser
- LK Lochkreis

Abmessungen

DIN 11866-A (DIN 11850)
 DIN 11866-B (EN ISO 1127)
 auf Anfrage: DIN 11866-C (ASME BPE)

Normative Verweisungen,

Anforderungen / Abnahmen (Vormaterial)

BN2
 EN 10088-1/-3
 EN 10204
 EN 10222-5 (Rohlinge)
 EN 10254 (Rohlinge)
 EN 10272
 ASTM A276
 ASTM A182/A182M / ASME SA182/SA182M
 ASTM A479/A479M / ASME SA479/SA479M
 ASME SA336 (Rohlinge)
 AD 2000-W2

Kennzeichnung

Hersteller, Werkstoff, Abmessung, Schmelze,
 STERI-Connect®

Toleranzen (Bezugsnorm)

ISO 2768-1

Verpackung

Schweißenden mit Kunststoffkappen verschlossen,
 einzeln verpackt.

Werkstoffe

1.4435 (mediumberührt)
 1.4301/07 (nicht mediumberührt)
 EPDM (Standard)

weitere Werkstoffe auf Anfrage

Oberflächenbeschaffenheit ("MB")

innen: feinstgedreht, Ra < 0.8 µm
 außen: feingedreht, Ra < 1.6 µm

Key

- external diameter
- internal diameter
- total length
- outer flange diameter
- bolt circle

Dimensions

DIN 11866-A (DIN 11850)
 DIN 11866-B (EN ISO 1127)
 on request: DIN 11866-C (ASME BPE)

Normative References,

Requirements / Approvals (raw material)

BN2
 EN 10088-1/-3
 EN 10204
 EN 10222-5 (forgings)
 EN 10254 (forgings)
 EN 10272
 ASTM A276
 ASTM A182/A182M / ASME SA182/SA182M
 ASTM A479/A479M / ASME SA479/SA479M
 ASME SA336 (forgings)
 AD 2000-W2

Marking

manufacturer, material, dimension, heat,
 STERI-Connect®

Tolerances (reference standard)

ISO 2768-1

Packaging

Welding ends covered with plastic caps,
 wrapped separately.

Materials

316L (at medium contact surface)
 304 (not at medium contact surface)
 EPDM (standard)

further materials on request

Surface condition ("MB")

inside: ultra-fine turned, Ra < 0.8 µm
 outside: refined turned, Ra < 1.6 µm



Oberflächenqualitäten | surface qualities

Innenoberfläche internal surface finish	(Zusatz-) Artikel-Nr. (additional) order No
e-polier e-polished	999277
Ra < 0.6 µm (STERI-line®)	999279
Ra < 0.5 µm (STERI-line®)	999280
Ra < 0.4 µm (HQ-line®)	999281
Ra < 0.25 µm (HQ-line®)	999283

Bestellbeispiel | ordering example

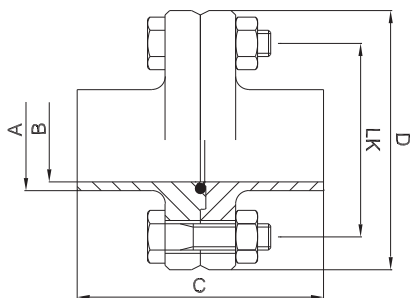
Artikelbezeichnung + Ausführungen article description + variants	Artikel-Nr. order No
Steril-Flanschverbindung DN025 ISO (1.4435, EPDM) aseptic flange connection STERI-Connect®	700448
e-polier e-polished	+ 999277
Ra < 0.25 µm	+ 999283



Zubehör ab Seite 73 | accessories from page 73 on



2.3.1 Steril-Flanschverbindung STERI-Connect®



weitere Abmessungen auf Anfrage | further dimensions on request

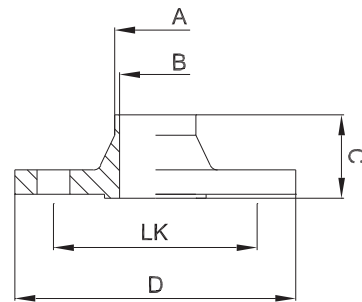
DIN	Abmessung dimension	A	B	C	D	LK	MB 1.4435			
DN008	10.0 x 1.0	10.0	8.0	88.0	60.0	40.0	705214			
DN010	12.0 x 1.0	12.0	10.0	88.0	65.0	45.0	700439			
DN010	13.0 x 1.5	13.0	10.0	88.0	65.0	45.0	709784			
DN015	19.0 x 1.5	19.0	16.0	88.0	75.0	55.0	700443			
DN020	23.0 x 1.5	23.0	20.0	92.0	80.0	60.0	700445			
DN025	29.0 x 1.5	29.0	26.0	102.0	85.0	65.0	700447			
DN032	35.0 x 1.5	35.0	32.0	102.0	95.0	75.0	700449			
DN040	41.0 x 1.5	41.0	38.0	102.0	100.0	80.0	700451			
DN050	53.0 x 1.5	53.0	50.0	106.0	110.0	90.0	700453			
DN065	70.0 x 2.0	70.0	66.0	130.0	140.0	115.0	700456			
DN080	85.0 x 2.0	85.0	81.0	130.0	150.0	125.0	700459			
DN100	104.0 x 2.0	104.0	100.0	134.0	175.0	150.0	700441			

ISO	Abmessung dimension	A	B	C	D	LK	MB 1.4435			
DN008	13.5 x 1.6	13.5	10.3	88.0	60.0	40.0	700458			
DN010	17.2 x 1.6	17.2	14.0	88.0	65.0	45.0	700440			
DN015	21.3 x 1.6	21.3	18.1	88.0	75.0	55.0	700444			
DN020	26.9 x 1.6	26.9	23.7	92.0	80.0	60.0	700446			
DN025	33.7 x 2.0	33.7	29.7	102.0	85.0	65.0	700448			
DN032	42.4 x 2.0	42.4	38.4	102.0	95.0	75.0	700450			
DN040	48.3 x 2.0	48.3	44.3	102.0	100.0	80.0	700452			
DN050	60.3 x 2.0	60.3	56.3	106.0	110.0	90.0	700454			
DN065	76.1 x 2.0	76.1	72.1	130.0	140.0	115.0	700457			
DN080	88.9 x 2.3	88.9	84.3	130.0	150.0	125.0	700460			
DN100	114.3 x 2.3	114.3	109.7	134.0	175.0	150.0	700442			



2.3.2 Steril-Flansch -VS- STERI-Connect®

aseptic flange -VS-



zusätzliche Oberflächenqualitäten analog Seite | additional surface qualities analog page 25

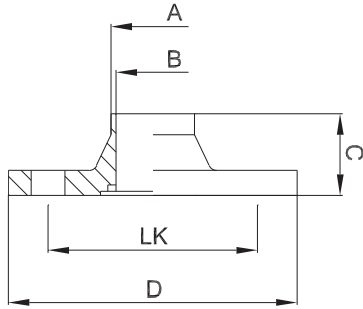
weitere Abmessungen auf Anfrage | further dimensions on request

DIN	Abmessung dimension	A	B	C	D	LK	MB 1.4435			
DN008	10.0 x 1.0	10.0	8.0	45.0	60.0	40.0	704205			
DN010	12.0 x 1.0	12.0	10.0	45.0	65.0	45.0	700417			
DN010	13.0 x 1.5	13.0	10.0	45.0	65.0	45.0	709175			
DN015	19.0 x 1.5	19.0	16.0	45.0	75.0	55.0	700421			
DN020	23.0 x 1.5	23.0	20.0	47.0	80.0	60.0	700423			
DN025	29.0 x 1.5	29.0	26.0	52.0	85.0	65.0	700425			
DN032	35.0 x 1.5	35.0	32.0	52.0	95.0	75.0	700427			
DN040	41.0 x 1.5	41.0	38.0	52.0	100.0	80.0	700429			
DN050	53.0 x 1.5	53.0	50.0	54.0	110.0	90.0	703007			
DN065	70.0 x 2.0	70.0	66.0	66.0	140.0	115.0	700434			
DN080	85.0 x 2.0	85.0	81.0	66.0	150.0	125.0	700437			
DN100	104.0 x 2.0	104.0	100.0	68.0	175.0	150.0	700419			

ISO	Abmessung dimension	A	B	C	D	LK	MB 1.4435			
DN008	13.5 x 1.6	13.5	10.3	45.0	60.0	40.0	700436			
DN010	17.2 x 1.6	17.2	14.0	45.0	65.0	45.0	700418			
DN015	21.3 x 1.6	21.3	18.1	45.0	75.0	55.0	700422			
DN020	26.9 x 1.6	26.9	23.7	47.0	80.0	60.0	700424			
DN025	33.7 x 2.0	33.7	29.7	52.0	85.0	65.0	700426			
DN032	42.4 x 2.0	42.4	38.4	52.0	95.0	75.0	700428			
DN040	48.3 x 2.0	48.3	44.3	52.0	100.0	80.0	700430			
DN050	60.3 x 2.0	60.3	56.3	54.0	110.0	90.0	700432			
DN065	76.1 x 2.0	76.1	72.1	66.0	140.0	115.0	700435			
DN080	88.9 x 2.3	88.9	84.3	66.0	150.0	125.0	700438			
DN100	114.3 x 2.3	114.3	109.7	68.0	175.0	150.0	700420			



aseptic flange -RS-



weitere Abmessungen auf Anfrage | further dimensions on request

zusätzliche Oberflächenqualitäten analog Seite | additional surface qualities analog page 25

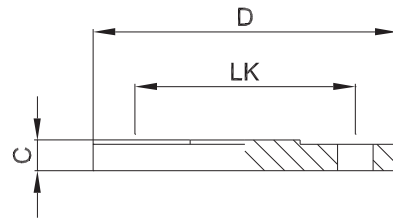
DIN	Abmessung dimension	A	B	C	D	LK	MB 1.4435			
DN008	10.0 x 1.0	10.0	8.0	45.0	60.0	40.0	704054			
DN010	12.0 x 1.0	12.0	10.0	45.0	65.0	45.0	700395			
DN010	13.0 x 1.5	13.0	10.0	45.0	65.0	45.0	708615			
DN015	19.0 x 1.5	19.0	16.0	45.0	75.0	55.0	700399			
DN020	23.0 x 1.5	23.0	20.0	47.0	80.0	60.0	700401			
DN025	29.0 x 1.5	29.0	26.0	52.0	85.0	65.0	700403			
DN032	35.0 x 1.5	35.0	32.0	52.0	95.0	75.0	700405			
DN040	41.0 x 1.5	41.0	38.0	52.0	100.0	80.0	700407			
DN050	53.0 x 1.5	53.0	50.0	54.0	110.0	90.0	700409			
DN065	70.0 x 2.0	70.0	66.0	66.0	140.0	115.0	700412			
DN080	85.0 x 2.0	85.0	81.0	66.0	150.0	125.0	700415			
DN100	104.0 x 2.0	104.0	100.0	68.0	175.0	150.0	700397			

ISO	Abmessung dimension	A	B	C	D	LK	MB 1.4435			
DN008	13.5 x 1.6	13.5	10.3	45.0	60.0	40.0	700414			
DN010	17.2 x 1.6	17.2	14.0	45.0	65.0	45.0	700396			
DN015	21.3 x 1.6	21.3	18.1	45.0	75.0	55.0	700400			
DN020	26.9 x 1.6	26.9	23.7	47.0	80.0	60.0	700402			
DN025	33.7 x 2.0	33.7	29.7	52.0	85.0	65.0	700404			
DN032	42.4 x 2.0	42.4	38.4	52.0	95.0	75.0	700406			
DN040	48.3 x 2.0	48.3	44.3	52.0	100.0	80.0	700408			
DN050	60.3 x 2.0	60.3	56.3	54.0	110.0	90.0	700410			
DN065	76.1 x 2.0	76.1	72.1	66.0	140.0	115.0	700413			
DN080	88.9 x 2.3	88.9	84.3	66.0	150.0	125.0	700416			
DN100	114.3 x 2.3	114.3	109.7	68.0	175.0	150.0	700398			



2.3.4 Steril-Blindflansch -VS- STERI-Connect®

aseptic blind flange -VS-

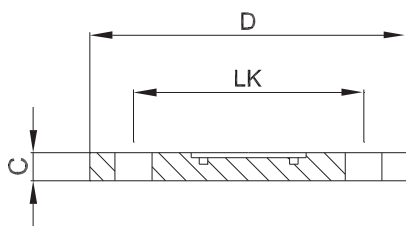


zusätzliche Oberflächenqualitäten analog Seite | additional surface qualities analog page 25

weitere Abmessungen auf Anfrage | further dimensions on request

DIN	Abmessung dimension	C	D	LK			MB 1.4435			
DN008	10.0 x 1.0	10.0	60.0	40.0			700393			
DN010	12.0 x 1.0	10.0	65.0	45.0			700383			
DN010	13.0 x 1.5	10.0	65.0	45.0			709838			
DN015	19.0 x 1.5	10.0	75.0	55.0			700385			
DN020	23.0 x 1.5	12.0	80.0	60.0			700386			
DN025	29.0 x 1.5	12.0	85.0	65.0			700387			
DN032	35.0 x 1.5	12.0	95.0	75.0			700388			
DN040	41.0 x 1.5	12.0	100.0	80.0			700389			
DN050	53.0 x 1.5	14.0	110.0	90.0			700390			
DN065	70.0 x 2.0	16.0	140.0	115.0			700392			
DN080	85.0 x 2.0	16.0	150.0	125.0			700394			
DN100	104.0 x 2.0	18.0	175.0	150.0			700384			

ISO	Abmessung dimension	C	D	LK			MB 1.4435			
DN008	13.5 x 1.6	10.0	60.0	40.0			705244			
DN010	17.2 x 1.6	10.0	65.0	45.0			705245			
DN015	21.3 x 1.6	10.0	75.0	55.0			705246			
DN020	26.9 x 1.6	12.0	80.0	60.0			705247			
DN025	33.7 x 2.0	12.0	85.0	65.0			704204			
DN032	42.4 x 2.0	12.0	95.0	75.0			704609			
DN040	48.3 x 2.0	12.0	100.0	80.0			705248			
DN050	60.3 x 2.0	14.0	110.0	90.0			705249			
DN065	76.1 x 2.0	16.0	140.0	115.0			705250			
DN080	88.9 x 2.3	16.0	150.0	125.0			705251			
DN100	114.3 x 2.3	18.0	175.0	150.0			705252			



weitere Abmessungen auf Anfrage | further dimensions on request

zusätzliche Oberflächenqualitäten analog Seite | additional surface qualities analog page 25

DIN	Abmessung dimension	C	D	LK			MB 1.4435			
DN008	10.0 x 1.0	10.0	60.0	40.0			700381			
DN010	12.0 x 1.0	10.0	65.0	45.0			700371			
DN010	13.0 x 1.5	10.0	65.0	45.0			709839			
DN015	19.0 x 1.5	10.0	75.0	55.0			700373			
DN020	23.0 x 1.5	12.0	80.0	60.0			700374			
DN025	29.0 x 1.5	12.0	85.0	65.0			700375			
DN032	35.0 x 1.5	12.0	95.0	75.0			700376			
DN040	41.0 x 1.5	12.0	100.0	80.0			700377			
DN050	53.0 x 1.5	14.0	110.0	90.0			700378			
DN065	70.0 x 2.0	16.0	140.0	115.0			700380			
DN080	85.0 x 2.0	16.0	150.0	125.0			700382			
DN100	104.0 x 2.0	18.0	175.0	150.0			700372			

ISO	Abmessung dimension	C	D	LK			MB 1.4435			
DN008	13.5 x 1.6	10.0	60.0	40.0			703464			
DN010	17.2 x 1.6	10.0	65.0	45.0			703465			
DN015	21.3 x 1.6	10.0	75.0	55.0			703466			
DN020	26.9 x 1.6	12.0	80.0	60.0			703467			
DN025	33.7 x 2.0	12.0	85.0	65.0			702564			
DN032	42.4 x 2.0	12.0	95.0	75.0			703468			
DN040	48.3 x 2.0	12.0	100.0	80.0			703469			
DN050	60.3 x 2.0	14.0	110.0	90.0			703470			
DN065	76.1 x 2.0	16.0	140.0	115.0			703471			
DN080	88.9 x 2.3	16.0	150.0	125.0			703472			
DN100	114.3 x 2.3	18.0	175.0	150.0			702563			



Legende

- A Außendurchmesser
- B Innendurchmesser
- C Gesamtlänge
- D Flansch-Außendurchmesser
- LK Lochkreis

Abmessungen

- DIN 11866-A (DIN 11850)
- DIN 11866-B (EN ISO 1127)
- DIN 11866-C (ASME BPE)

Normative Verweisungen,

Anforderungen / Abnahmen (Vormaterial)

- DIN 11864
- BN2 (gültig für Bauteile in 1.4435)
- EN 10088-1/-3
- EN 10204
- EN 10222-5 (Rohlinge)
- EN 10254 (Rohlinge)
- EN 10272
- ASTM A276
- ASTM A182/A182M / ASME SA182/SA182M
- ASTM A479/A479M / ASME SA479/SA479M
- ASME SA336 (Rohlinge)
- AD 2000-W2

Kennzeichnung

Hersteller, Werkstoff, Abmessung, Schmelze, DIN 11864

Toleranzen (Bezugsnorm)

DIN 11864 / ISO 2768-1

Verpackung

Schweißenden mit Kunststoffkappen verschlossen, einzeln verpackt.

Werkstoffe

- 1.4435 / 1.4404 (mediumberührt)
- 1.4301/07 (nicht mediumberührt)
- EPDM (Standard)

weitere Werkstoffe auf Anfrage

Oberflächenbeschaffenheit ("MB")

innen: feinstgedreht, Ra < 0.8 µm
 außen: feingedreht, Ra < 1.6 µm

Key

- external diameter
- internal diameter
- total length
- outer flange diameter
- bolt circle

Dimensions

- DIN 11866-A (DIN 11850)
- DIN 11866-B (EN ISO 1127)
- DIN 11866-C (ASME BPE)

Normative References,

Requirements / Approvals (raw material)

- DIN 11864
- BN2 (valid for components in 1.4435)
- EN 10088-1/-3
- EN 10204
- EN 10222-5 (forgings)
- EN 10254 (forgings)
- EN 10272
- ASTM A276
- ASTM A182/A182M / ASME SA182/SA182M
- ASTM A479/A479M / ASME SA479/SA479M
- ASME SA336 (forgings)
- AD 2000-W2

Marking

manufacturer, material, dimension, heat, DIN 11864

Tolerances (reference standard)

DIN 11864 / ISO 2768-1

Packaging

Welding ends covered with plastic caps, wrapped separately.

Materials

- 316L (at medium contact surface)
- 304 (not at medium contact surface)
- EPDM (standard)

further materials on request

Surface condition ("MB")

inside: ultra-fine turned, Ra < 0.8 µm
 outside: refined turned, Ra < 1.6 µm



Oberflächenqualitäten | surface qualities

Innenoberfläche internal surface finish	(Zusatz-) Artikel-Nr. (additional) order No
Ra < 0.6 µm (STERI-line®)	999279
Ra < 0.5 µm (STERI-line®)	999280
Ra < 0.4 µm (HQ-line®)	999281
Ra < 0.25 µm (HQ-line®)	999283

Bestellbeispiel | ordering example

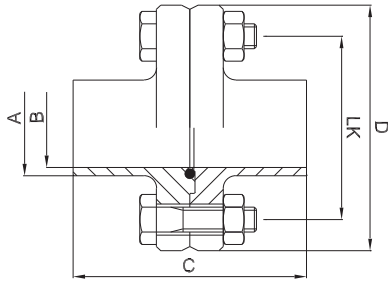
Artikelbezeichnung + Ausführungen article description + variants	Artikel-Nr. order No
Steril-Flanschverbindung DN025 ISO (1.4435, EPDM) aseptic flange connection DIN 11864-2-A	707520
e-poliert e-polished	
Ra < 0.25 µm	+ 999283



Zubehör ab Seite 75 | accessories from page 75 on



2.4.1 S Steril-Flanschverbindung DIN 11864-2-A



weitere Abmessungen auf Anfrage | further dimensions on request

DIN	Abmessung dimension	A	B	C	D	LK	MB 1.4435	e-pol. 1.4435	MB 1.4404	e-pol. 1.4404
DN010	13.0 x 1.5	13.0	10.0	80.0	54.0	37.0	703321	710102	705253	710121
DN015	19.0 x 1.5	19.0	16.0	80.0	59.0	42.0	703323	710103	705084	710122
DN020	23.0 x 1.5	23.0	20.0	80.0	64.0	47.0	703324	710104	705255	710123
DN025	29.0 x 1.5	29.0	26.0	80.0	70.0	53.0	703325	710105	703140	710124
DN032	35.0 x 1.5	35.0	32.0	90.0	76.0	59.0	703326	710106	705256	710125
DN040	41.0 x 1.5	41.0	38.0	90.0	82.0	65.0	703327	710107	703141	710126
DN050	53.0 x 1.5	53.0	50.0	90.0	94.0	77.0	703328	709069	704619	710127
DN065	70.0 x 2.0	70.0	66.0	108.0	113.0	95.0	703329	710108	705257	710128
DN080	85.0 x 2.0	85.0	81.0	116.0	133.0	112.0	703330	710109	704549	710129
DN100	104.0 x 2.0	104.0	100.0	116.0	159.0	137.0	703331	710110	705258	710130
DN125	129.0 x 2.0	129.0	125.0	120.0	183.0	161.0	703332	710111	704603	710131
DN150	154.0 x 2.0	154.0	150.0	120.0	213.0	188.0	703333	710112	704604	710132
DN200*	204.0 x 2.0	204.0	200.0	118.5	340.0	295.0	710099	710113	710116	710133
DN250*	254.0 x 2.0	254.0	250.0	134.5	405.0	355.0	710100	710114	710117	710134
DN300*	304.0 x 2.0	304.0	300.0	150.5	460.0	410.0	710101	710115	710118	710135

ISO	Abmessung dimension	A	B	C	D	LK	MB 1.4435	e-pol. 1.4435	MB 1.4404	e-pol. 1.4404
DN008	13.5 x 1.6	13.5	10.3	80.0	54.0	37.0	703886	707516	707346	707527
DN010	17.2 x 1.6	17.2	14.0	80.0	59.0	42.0	704098	707517	707348	707528
DN015	21.3 x 1.6	21.3	18.1	80.0	62.0	45.0	703334	707518	705259	707529
DN020	26.9 x 1.6	26.9	23.7	80.0	69.0	52.0	703335	707519	705260	707530
DN025	33.7 x 2.0	33.7	29.7	90.0	74.0	57.0	703336	707520	705261	707531
DN032	42.4 x 2.0	42.4	38.4	90.0	82.0	65.0	703337	707521	705262	707532
DN040	48.3 x 2.0	48.3	44.3	90.0	88.0	71.0	703338	707522	705263	707533
DN050	60.3 x 2.0	60.3	56.3	108.0	103.0	85.0	703339	707523	705264	707534
DN065	76.1 x 2.0	76.1	72.1	112.0	125.0	104.0	703340	707524	705265	707535
DN080	88.9 x 2.3	88.9	84.3	120.0	137.0	116.0	703341	707525	705266	707536
DN100	114.3 x 2.3	114.3	109.7	120.0	168.0	146.0	703342	707526	705267	707537
DN125*	139.7 x 2.6	139.7	134.5	104.5	250.0	210.0	708810	710143	710148	710152
DN150*	168.3 x 2.6	168.3	163.1	104.5	285.0	240.0	710139	710144	709149	710153
DN200*	219.1 x 2.6	219.1	213.9	118.5	340.0	295.0	710140	710145	710149	710154
DN250*	273.0 x 3.0	273.0	267.0	132.5	405.0	355.0	710141	710146	710150	710155
DN300*	323.9 x 3.0	323.9	317.9	148.5	460.0	410.0	710142	710147	710151	710156

ASME BPE	Abmessung dimension	A	B	C	D	LK	MB 1.4435	e-pol. 1.4435	MB 1.4404	e-pol. 1.4404
DN 1/2"	12.7 x 1.65	12.7	9.4	80.0	54.0	37.0	704637	710157	709774	710165
DN 3/4"	19.05 x 1.65	19.05	15.75	80.0	59.0	42.0	704636	710158	709775	710166
DN 1"	25.4 x 1.65	25.4	22.1	80.0	66.0	49.0	703343	710159	705268	710167
DN 1 1/2"	38.1 x 1.65	38.1	34.8	90.0	79.0	62.0	703344	710160	705269	710168
DN 2"	50.8 x 1.65	50.8	47.5	90.0	92.0	75.0	703345	710161	705270	710169
DN 2 1/2"	63.5 x 1.65	63.5	60.2	108.0	107.0	89.0	703346	710162	705271	710170
DN 3"	76.2 x 1.65	76.2	72.9	112.0	125.0	104.0	703347	710163	705272	710171
DN 4"	101.6 x 2.11	101.6	97.38	116.0	157.0	135.0	703348	710164	705273	710172

*) nicht in der DIN-Norm enthalten | non-standard

**Legende**

- A Außendurchmesser
- B Innendurchmesser
- C Gesamtlänge
- D Flansch-Außendurchmesser
- LK Lochkreis

Abmessungen

- DIN 11866-A (DIN 11850)
- DIN 11866-B (EN ISO 1127)
- DIN 11866-C (ASME BPE)

Normative Verweisungen,**Anforderungen / Abnahmen (Vormaterial)**

- DIN 11853
- EN 10088-1/-3
- EN 10204
- EN 10222-5 (Rohlinge)
- EN 10254 (Rohlinge)
- EN 10272
- ASTM A276
- ASTM A182/A182M / ASME SA182/SA182M
- ASTM A479/A479M / ASME SA479/SA479M
- ASME SA336 (Rohlinge)
- AD 2000-W2

Kennzeichnung

Hersteller, Werkstoff, Abmessung, Schmelze,
DIN 11853

Toleranzen (Bezugsnorm)

DIN 11853 / ISO 2768-1

Verpackung

Schweißenden mit Kunststoffkappen verschlossen,
einzeln verpackt.

Werkstoffe

- 1.4404 (mediumberührt)
- 1.4301/07 (nicht mediumberührt)
- EPDM (Standard)

weitere Werkstoffe auf Anfrage**Oberflächenbeschaffenheit ("MB")**

innen: feinstgedreht, Ra < 0.8 µm
außen: feingedreht, Ra < 1.6 µm

Key

- external diameter
- internal diameter
- total length
- outer flange diameter
- bolt circle

Dimensions

- DIN 11866-A (DIN 11850)
- DIN 11866-B (EN ISO 1127)
- DIN 11866-C (ASME BPE)

Normative References,**Requirements / Approvals (raw material)**

- DIN 11853
- EN 10088-1/-3
- EN 10204
- EN 10222-5 (forgings)
- EN 10254 (forgings)
- EN 10272
- ASTM A276
- ASTM A182/A182M / ASME SA182/SA182M
- ASTM A479/A479M / ASME SA479/SA479M
- ASME SA336 (forgings)
- AD 2000-W2

Marking

manufacturer, material, dimension, heat,
DIN 11853

Tolerances (reference standard)

DIN 11853 / ISO 2768-1

Packaging

Welding ends covered with plastic caps,
wrapped separately.

Materials

- 316L (at medium contact surface)
- 304 (not at medium contact surface)
- EPDM (standard)

further materials on request**Surface condition ("MB")**

inside: ultra-fine turned, Ra < 0.8 µm
outside: refined turned, Ra < 1.6 µm

**Oberflächenqualitäten | surface qualities**

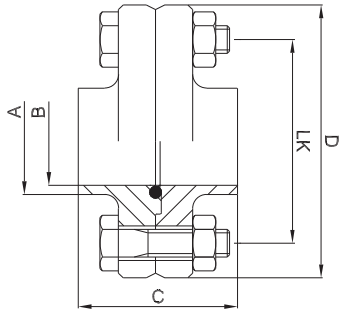
Innenoberfläche internal surface finish	(Zusatz-) Artikel-Nr. (additional) order No
e-poliert e-polished	999277
Ra < 0.6 µm (STERI-line®)	999279
Ra < 0.5 µm (STERI-line®)	999280
Ra < 0.4 µm (HQ-line®)	999281
Ra < 0.25 µm (HQ-line®)	999283

Bestellbeispiel | ordering example

Artikelbezeichnung + Ausführungen article description + variants	Artikel-Nr. order No
Hygiene-Flanschverbindung DN025 ISO DIN 11853-2 hygienic flange connection (1.4404, EPDM)	706190
e-poliert e-polished	+ 999277
Ra < 0.25 µm	+ 999283



Zubehör ab Seite 75 | accessories from page 75 on



weitere Abmessungen auf Anfrage | further dimensions on request

DIN	Abmessung dimension	A	B	C	D	LK	MB 1.4404			
DN010	13.0 x 1.5	13.0	10.0	48.0	54.0	37.0	706177			
DN015	19.0 x 1.5	19.0	16.0	48.0	59.0	42.0	705254			
DN020	23.0 x 1.5	23.0	20.0	48.0	64.0	47.0	706178			
DN025	29.0 x 1.5	29.0	26.0	48.0	70.0	53.0	706179			
DN032	35.0 x 1.5	35.0	32.0	48.0	76.0	59.0	706180			
DN040	41.0 x 1.5	41.0	38.0	48.0	82.0	65.0	706181			
DN050	53.0 x 1.5	53.0	50.0	48.0	94.0	77.0	706182			
DN065	70.0 x 2.0	70.0	66.0	48.0	113.0	95.0	706183			
DN080	85.0 x 2.0	85.0	81.0	52.0	133.0	112.0	706184			
DN100	104.0 x 2.0	104.0	100.0	52.0	159.0	137.0	706185			
DN125	129.0 x 2.0	129.0	125.0	56.0	183.0	161.0	706186			
DN150	154.0 x 2.0	154.0	150.0	56.0	213.0	188.0	706187			

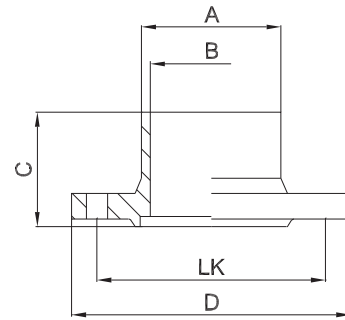
ISO	Abmessung dimension	A	B	C	D	LK	MB 1.4404			
DN008	13.5 x 1.6	13.5	10.3	48.0	54.0	37.0	707347			
DN010	17.2 x 1.6	17.2	14.0	48.0	59.0	42.0	707349			
DN015	21.3 x 1.6	21.3	18.1	48.0	62.0	45.0	706188			
DN020	26.9 x 1.6	26.9	23.7	48.0	69.0	52.0	706189			
DN025	33.7 x 2.0	33.7	29.7	48.0	74.0	57.0	706190			
DN032	42.4 x 2.0	42.4	38.4	48.0	82.0	65.0	705079			
DN040	48.3 x 2.0	48.3	44.3	48.0	88.0	71.0	706191			
DN050	60.3 x 2.0	60.3	56.3	48.0	103.0	85.0	705636			
DN065	76.1 x 2.0	76.1	72.1	48.0	125.0	104.0	706192			
DN080	88.9 x 2.3	88.9	84.3	52.0	137.0	116.0	706193			
DN100	114.3 x 2.3	114.3	109.7	52.0	168.0	146.0	706194			

ASME BPE	Abmessung dimension	A	B	C	D	LK	MB 1.4404			
DN 1/2"	12.7 x 1.65	12.7	9.4	48.0	54.0	37.0	709848			
DN 3/4"	19.05 x 1.65	19.05	15.75	48.0	59.0	42.0	709849			
DN 1"	25.4 x 1.65	25.4	22.1	48.0	66.0	49.0	706195			
DN 1 1/2"	38.1 x 1.65	38.1	34.8	48.0	79.0	62.0	706196			
DN 2"	50.8 x 1.65	50.8	47.5	48.0	92.0	75.0	706197			
DN 2 1/2"	63.5 x 1.65	63.5	60.2	48.0	107.0	89.0	706198			
DN 3"	76.2 x 1.65	76.2	72.9	48.0	125.0	104.0	706199			
DN 4"	101.6 x 2.11	101.6	97.38	52.0	157.0	135.0	706200			



2.4.2 S Steril-Nutflansch DIN 11864-2-A

aseptic flange with groove



zusätzliche Oberflächenqualitäten analog Seite | additional surface qualities analog page 31

weitere Abmessungen auf Anfrage | further dimensions on request

DIN	Abmessung dimension	A	B	C	D	LK	MB 1.4435	e-pol. 1.4435	MB 1.4404	e-pol. 1.4404
DN010	13.0 x 1.5	13.0	10.0	41.5	54.0	37.0	703376	709601	704948	708847
DN015	19.0 x 1.5	19.0	16.0	41.5	59.0	42.0	703377	709602	705085	708848
DN020	23.0 x 1.5	23.0	20.0	41.5	64.0	47.0	703378	709603	705291	708849
DN025	29.0 x 1.5	29.0	26.0	41.5	70.0	53.0	703379	709604	705033	708850
DN032	35.0 x 1.5	35.0	32.0	46.5	76.0	59.0	703380	709605	705292	708851
DN040	41.0 x 1.5	41.0	38.0	46.5	82.0	65.0	703381	709606	705293	708852
DN050	53.0 x 1.5	53.0	50.0	46.5	94.0	77.0	703382	709607	705058	708853
DN065	70.0 x 2.0	70.0	66.0	55.5	113.0	95.0	703383	709608	705294	708854
DN080	85.0 x 2.0	85.0	81.0	59.5	133.0	112.0	703384	709609	703960	708855
DN100	104.0 x 2.0	104.0	100.0	59.5	159.0	137.0	703385	709610	703584	708856
DN125	129.0 x 2.0	129.0	125.0	61.5	183.0	161.0	703386	710176	705627	710181
DN150	154.0 x 2.0	154.0	150.0	61.5	213.0	188.0	706201	710177	703387	710182
DN200*	204.0 x 2.0	204.0	200.0	60.0	340.0	295.0	710173	710178	707942	710183
DN250*	254.0 x 2.0	254.0	250.0	68.0	405.0	355.0	710174	710179	707943	710184
DN300*	304.0 x 2.0	254.0	250.0	76.0	460.0	410.0	710175	710180	707944	710185

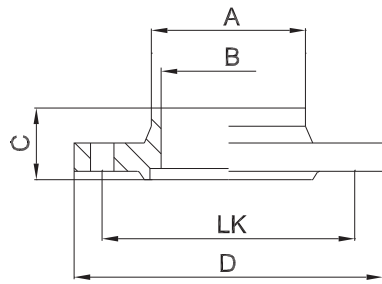
ISO	Abmessung dimension	A	B	C	D	LK	MB 1.4435	e-pol. 1.4435	MB 1.4404	e-pol. 1.4404
DN008	13.5 x 1.6	13.5	10.3	41.5	54.0	37.0	704297	707483	707334	707494
DN010	17.2 x 1.6	17.2	14.0	41.5	59.0	42.0	704662	707484	707335	707495
DN015	21.3 x 1.6	21.3	18.1	41.5	62.0	45.0	703388	707485	705301	707496
DN020	26.9 x 1.6	26.9	23.7	41.5	69.0	52.0	703389	707486	704976	707497
DN025	33.7 x 2.0	33.7	29.7	46.5	74.0	57.0	703390	707487	705302	707498
DN032	42.4 x 2.0	42.4	38.4	46.5	82.0	65.0	703391	707488	705303	707499
DN040	48.3 x 2.0	48.3	44.3	46.5	88.0	71.0	703392	707489	704947	707500
DN050	60.3 x 2.0	60.3	56.3	55.5	103.0	85.0	703393	707490	705304	707501
DN065	76.1 x 2.0	76.1	72.1	57.5	125.0	104.0	703394	707491	705305	707502
DN080	88.9 x 2.3	88.9	84.3	59.5	137.0	116.0	703395	707492	705306	707503
DN100	114.3 x 2.3	114.3	109.7	59.5	168.0	146.0	703396	707493	705307	707504
DN125*	139.7 x 2.6	139.7	134.5	53.0	250.0	210.0	708799	710189	707941	710194
DN150*	168.3 x 2.6	168.3	163.1	53.0	285.0	240.0	709029	710190	706735	710195
DN200*	219.1 x 2.6	219.1	213.9	60.0	340.0	295.0	710186	710191	706736	710196
DN250*	273.0 x 3.0	273.0	267.0	68.0	405.0	355.0	710187	710192	707945	710197
DN300*	323.9 x 3.0	323.9	317.9	76.0	460.0	410.0	710188	710193	707946	710198

ASME BPE	Abmessung dimension	A	B	C	D	LK	MB 1.4435	e-pol. 1.4435	MB 1.4404	e-pol. 1.4404
DN 1/2"	12.7 x 1.65	12.7	9.4	41.5	54.0	37.0	704663	710199	709770	710207
DN 3/4"	19.05 x 1.65	19.05	15.75	41.5	59.0	42.0	704664	710200	709771	710208
DN 1"	25.4 x 1.65	25.4	22.1	41.5	66.0	49.0	703397	710201	705295	708857
DN 1 1/2"	38.1 x 1.65	38.1	34.8	46.5	79.0	62.0	703398	710202	705296	708858
DN 2"	50.8 x 1.65	50.8	47.5	46.5	92.0	75.0	703400	710203	705297	708859
DN 2 1/2"	63.5 x 1.65	63.5	60.2	55.5	107.0	89.0	703399	710204	705298	710209
DN 3"	76.2 x 1.65	76.2	72.9	57.5	125.0	104.0	703401	710205	705299	710210
DN 4"	101.6 x 2.11	101.6	97.38	59.5	157.0	135.0	703402	710206	705300	710211

*) nicht in der DIN-Norm enthalten | non-standard



hygienic flange with groove



weitere Abmessungen auf Anfrage | further dimensions on request

zusätzliche Oberflächenqualitäten analog Seite | additional surface qualities analog page 33

DIN	Abmessung dimension	A	B	C	D	LK	MB 1.4404			
DN010	13.0 x 1.5	13.0	10.0	25.5	54.0	37.0	706202			
DN015	19.0 x 1.5	19.0	16.0	25.5	59.0	42.0	706203			
DN020	23.0 x 1.5	23.0	20.0	25.5	64.0	47.0	706204			
DN025	29.0 x 1.5	29.0	26.0	25.5	70.0	53.0	705658			
DN032	35.0 x 1.5	35.0	32.0	25.5	76.0	59.0	706205			
DN040	41.0 x 1.5	41.0	38.0	25.5	82.0	65.0	706206			
DN050	53.0 x 1.5	53.0	50.0	25.5	94.0	77.0	704494			
DN065	70.0 x 2.0	70.0	66.0	25.5	113.0	95.0	705035			
DN080	85.0 x 2.0	85.0	81.0	27.5	133.0	112.0	705677			
DN100	104.0 x 2.0	104.0	100.0	27.5	159.0	137.0	706207			
DN125	129.0 x 2.0	129.0	125.0	29.5	183.0	161.0	706208			
DN150	154.0 x 2.0	154.0	150.0	29.5	213.0	188.0	706209			

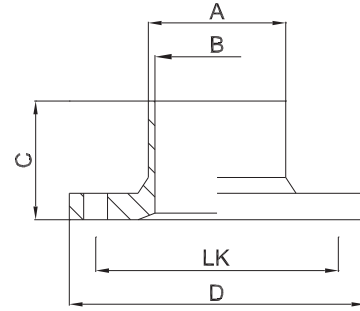
ISO	Abmessung dimension	A	B	C	D	LK	MB 1.4404			
DN008	13.5 x 1.6	13.5	10.3	25.5	54.0	37.0	707336			
DN010	17.2 x 1.6	17.2	14.0	25.5	59.0	42.0	707337			
DN015	21.3 x 1.6	21.3	18.1	25.5	62.0	45.0	706210			
DN020	26.9 x 1.6	26.9	23.7	25.5	69.0	52.0	706211			
DN025	33.7 x 2.0	33.7	29.7	25.5	74.0	57.0	706212			
DN032	42.4 x 2.0	42.4	38.4	25.5	82.0	65.0	706213			
DN040	48.3 x 2.0	48.3	44.3	25.5	88.0	71.0	706214			
DN050	60.3 x 2.0	60.3	56.3	25.5	103.0	85.0	706215			
DN065	76.1 x 2.0	76.1	72.1	25.5	125.0	104.0	706216			
DN080	88.9 x 2.3	88.9	84.3	27.5	137.0	116.0	706217			
DN100	114.3 x 2.3	114.3	109.7	27.5	168.0	146.0	706218			

ASME BPE	Abmessung dimension	A	B	C	D	LK	MB 1.4404			
DN 1/2"	12.7 x 1.65	12.7	9.4	25.5	54.0	37.0	709850			
DN 3/4"	19.05 x 1.65	19.05	15.75	25.5	59.0	42.0	709851			
DN 1"	25.4 x 1.65	25.4	22.1	25.5	66.0	49.0	706219			
DN 1 1/2"	38.1 x 1.65	38.1	34.8	25.5	79.0	62.0	706220			
DN 2"	50.8 x 1.65	50.8	47.5	25.5	92.0	75.0	706221			
DN 2 1/2"	63.5 x 1.65	63.5	60.2	25.5	107.0	89.0	706222			
DN 3"	76.2 x 1.65	76.2	72.9	25.5	125.0	104.0	706223			
DN 4"	101.6 x 2.11	101.6	97.38	27.5	157.0	135.0	706224			



2.4.3 S Steril-Bundflansch DIN 11864-2-A

aseptic flange with collar



zusätzliche Oberflächenqualitäten analog Seite | additional surface qualities analog page 31

weitere Abmessungen auf Anfrage | further dimensions on request

DIN	Abmessung dimension	A	B	C	D	LK	MB 1.4435	e-pol. 1.4435	MB 1.4404	e-pol. 1.4404
DN010	13.0 x 1.5	13.0	10.0	40.0	54.0	37.0	703349	709611	704946	708834
DN015	19.0 x 1.5	19.0	16.0	40.0	59.0	42.0	703350	709612	705309	708835
DN020	23.0 x 1.5	23.0	20.0	40.0	64.0	47.0	703351	709613	705310	708836
DN025	29.0 x 1.5	29.0	26.0	40.0	70.0	53.0	703352	709614	705032	708837
DN032	35.0 x 1.5	35.0	32.0	45.0	76.0	59.0	703353	709615	705311	708838
DN040	41.0 x 1.5	41.0	38.0	45.0	82.0	65.0	703354	709616	704581	708839
DN050	53.0 x 1.5	53.0	50.0	45.0	94.0	77.0	703355	709617	705057	708840
DN065	70.0 x 2.0	70.0	66.0	54.0	113.0	95.0	703356	709618	705312	708841
DN080	85.0 x 2.0	85.0	81.0	58.0	133.0	112.0	703357	709619	704580	708842
DN100	104.0 x 2.0	104.0	100.0	58.0	159.0	137.0	703358	709620	705313	708843
DN125	129.0 x 2.0	129.0	125.0	60.0	183.0	161.0	703359	710215	705628	710220
DN150	154.0 x 2.0	154.0	150.0	60.0	213.0	188.0	703360	710216	706225	710221
DN200*	204.0 x 2.0	204.0	200.0	60.0	340.0	295.0	710212	710217	707936	710222
DN250*	254.0 x 2.0	254.0	250.0	68.0	405.0	355.0	710213	710218	707937	710223
DN300*	304.0 x 2.0	254.0	250.0	76.0	460.0	410.0	710214	710219	707938	710224

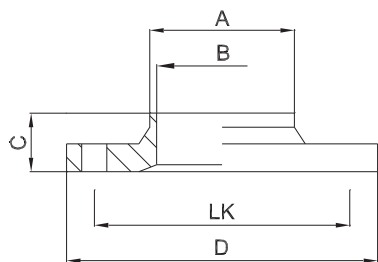
ISO	Abmessung dimension	A	B	C	D	LK	MB 1.4435	e-pol. 1.4435	MB 1.4404	e-pol. 1.4404
DN008	13.5 x 1.6	13.5	10.3	40.0	54.0	37.0	704298	707450	707338	707461
DN010	17.2 x 1.6	17.2	14.0	40.0	59.0	42.0	704659	707451	707339	707462
DN015	21.3 x 1.6	21.3	18.1	40.0	62.0	45.0	703361	707452	705314	707463
DN020	26.9 x 1.6	26.9	23.7	40.0	69.0	52.0	703362	707453	704977	707464
DN025	33.7 x 2.0	33.7	29.7	45.0	74.0	57.0	703363	707454	705315	707465
DN032	42.4 x 2.0	42.4	38.4	45.0	82.0	65.0	703364	707455	705316	707466
DN040	48.3 x 2.0	48.3	44.3	45.0	88.0	71.0	703365	707456	705317	707467
DN050	60.3 x 2.0	60.3	56.3	54.0	103.0	85.0	703366	707457	705318	707468
DN065	76.1 x 2.0	76.1	72.1	56.0	125.0	104.0	703367	707458	705319	707469
DN080	88.9 x 2.3	88.9	84.3	58.0	137.0	116.0	703368	707459	705320	707470
DN100	114.3 x 2.3	114.3	109.7	58.0	168.0	146.0	703369	707460	705321	707471
DN125*	139.7 x 2.6	139.7	134.5	53.0	250.0	210.0	708800	710228	707935	710233
DN150*	168.3 x 2.6	168.3	163.1	53.0	285.0	240.0	709106	710229	706733	710234
DN200*	219.1 x 2.6	219.1	213.9	60.0	340.0	295.0	710225	710230	706734	710235
DN250*	273.0 x 3.0	273.0	267.0	68.0	405.0	355.0	710226	710231	707939	710236
DN300*	323.9 x 3.0	323.9	317.9	76.0	460.0	410.0	710227	710232	707940	710237

ASME BPE	Abmessung dimension	A	B	C	D	LK	MB 1.4435	e-pol. 1.4435	MB 1.4404	e-pol. 1.4404
DN 1/2"	12.7 x 1.65	12.7	9.4	40.0	54.0	37.0	704661	710238	709772	710246
DN 3/4"	19.05 x 1.65	19.05	15.75	40.0	59.0	42.0	704660	710239	709773	710247
DN 1"	25.4 x 1.65	25.4	22.1	40.0	66.0	49.0	703370	710240	705322	708844
DN 1 1/2"	38.1 x 1.65	38.1	34.8	45.0	79.0	62.0	703371	710241	705323	708845
DN 2"	50.8 x 1.65	50.8	47.5	45.0	92.0	75.0	703372	710242	705324	708846
DN 2 1/2"	63.5 x 1.65	63.5	60.2	54.0	107.0	89.0	703373	710243	705325	710248
DN 3"	76.2 x 1.65	76.2	72.9	56.0	125.0	104.0	703374	710244	705326	710249
DN 4"	101.6 x 2.11	101.6	97.38	58.0	157.0	135.0	703375	710245	705327	710250

*) nicht in der DIN-Norm enthalten | non-standard



hygienic flange with collar



weitere Abmessungen auf Anfrage | further dimensions on request

zusätzliche Oberflächenqualitäten analog Seite | additional surface qualities analog page 33

DIN	Abmessung dimension	A	B	C	D	LK	MB 1.4404			
DN010	13.0 x 1.5	13.0	10.0	24.0	54.0	37.0	706226			
DN015	19.0 x 1.5	19.0	16.0	24.0	59.0	42.0	706227			
DN020	23.0 x 1.5	23.0	20.0	24.0	64.0	47.0	706228			
DN025	29.0 x 1.5	29.0	26.0	24.0	70.0	53.0	705659			
DN032	35.0 x 1.5	35.0	32.0	24.0	76.0	59.0	706229			
DN040	41.0 x 1.5	41.0	38.0	24.0	82.0	65.0	706230			
DN050	53.0 x 1.5	53.0	50.0	24.0	94.0	77.0	706231			
DN065	70.0 x 2.0	70.0	66.0	24.0	113.0	95.0	706232			
DN080	85.0 x 2.0	85.0	81.0	26.0	133.0	112.0	706233			
DN100	104.0 x 2.0	104.0	100.0	26.0	159.0	137.0	706234			
DN125	129.0 x 2.0	129.0	125.0	28.0	183.0	161.0	706235			
DN150	154.0 x 2.0	154.0	150.0	28.0	213.0	188.0	706236			

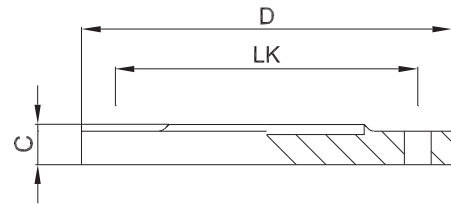
ISO	Abmessung dimension	A	B	C	D	LK	MB 1.4404			
DN008	13.5 x 1.6	13.5	10.3	24.0	54.0	37.0	707340			
DN010	17.2 x 1.6	17.2	14.0	24.0	59.0	42.0	707341			
DN015	21.3 x 1.6	21.3	18.1	24.0	62.0	45.0	706237			
DN020	26.9 x 1.6	26.9	23.7	24.0	69.0	52.0	706238			
DN025	33.7 x 2.0	33.7	29.7	24.0	74.0	57.0	706239			
DN032	42.4 x 2.0	42.4	38.4	24.0	82.0	65.0	706240			
DN040	48.3 x 2.0	48.3	44.3	24.0	88.0	71.0	706241			
DN050	60.3 x 2.0	60.3	56.3	24.0	103.0	85.0	706242			
DN065	76.1 x 2.0	76.1	72.1	24.0	125.0	104.0	706243			
DN080	88.9 x 2.3	88.9	84.3	26.0	137.0	116.0	706244			
DN100	114.3 x 2.3	114.3	109.7	26.0	168.0	146.0	706245			

ASME BPE	Abmessung dimension	A	B	C	D	LK	MB 1.4404			
DN 1/2"	12.7 x 1.65	12.7	9.4	24.0	54.0	37.0	709852			
DN 3/4"	19.05 x 1.65	19.05	15.75	24.0	59.0	42.0	709853			
DN 1"	25.4 x 1.65	25.4	22.1	24.0	66.0	49.0	706246			
DN 1 1/2"	38.1 x 1.65	38.1	34.8	24.0	79.0	62.0	706247			
DN 2"	50.8 x 1.65	50.8	47.5	24.0	92.0	75.0	706248			
DN 2 1/2"	63.5 x 1.65	63.5	60.2	24.0	107.0	89.0	706249			
DN 3"	76.2 x 1.65	76.2	72.9	24.0	125.0	104.0	706250			
DN 4"	101.6 x 2.11	101.6	97.38	26.0	157.0	135.0	706251			



2.4.4 Blindnutflansch DIN 11864-2-A/DIN 11853-2

blind flange with groove



zusätzliche Oberflächenqualitäten analog Seite | additional surface qualities analog page 31

weitere Abmessungen auf Anfrage | further dimensions on request

DIN	Abmessung dimension	C	D	LK			MB 1.4435	e-pol. 1.4435	MB 1.4404	e-pol. 1.4404
DN010	13.0 x 1.5	11.5	54.0	37.0			703423	709651	705426	709626
DN015	19.0 x 1.5	11.5	59.0	42.0			703424	709652	705427	709627
DN020	23.0 x 1.5	11.5	64.0	47.0			703425	709653	705428	709628
DN025	29.0 x 1.5	11.5	70.0	53.0			703426	709654	705429	709629
DN032	35.0 x 1.5	11.5	76.0	59.0			703427	709655	705430	709630
DN040	41.0 x 1.5	11.5	82.0	65.0			703428	709656	704927	709631
DN050	53.0 x 1.5	11.5	94.0	77.0			703429	709657	704928	709632
DN065	70.0 x 2.0	11.5	113.0	95.0			703430	709658	705431	709633
DN080	85.0 x 2.0	13.5	133.0	112.0			703431	709659	705432	709634
DN100	104.0 x 2.0	15.5	159.0	137.0			703432	709660	705433	709635
DN125	129.0 x 2.0	15.5	183.0	161.0			706268	709661	705434	709636
DN150	154.0 x 2.0	17.5	213.0	188.0			706269	709662	705435	709637
DN200*	204.0 x 2.0	25.0	340.0	295.0			**	**	**	**
DN250*	254.0 x 2.0	25.0	405.0	355.0			**	**	**	**
DN300*	304.0 x 2.0	28.0	460.0	410.0			**	**	**	**

ISO	Abmessung dimension	C	D	LK			MB 1.4435	e-pol. 1.4435	MB 1.4404	e-pol. 1.4404
DN008	13.5 x 1.6	11.5	54.0	37.0			704697	709380	709786	709790
DN010	17.2 x 1.6	11.5	59.0	42.0			704696	709381	709787	709791
DN015	21.3 x 1.6	11.5	62.0	45.0			704695	709382	705436	709400
DN020	26.9 x 1.6	11.5	69.0	52.0			704694	709383	705437	709401
DN025	33.7 x 2.0	11.5	74.0	57.0			704693	709384	705438	709402
DN032	42.4 x 2.0	11.5	82.0	65.0			704692	709385	705439	709403
DN040	48.3 x 2.0	11.5	88.0	71.0			704691	709386	705440	709404
DN050	60.3 x 2.0	11.5	103.0	85.0			704497	709387	705441	709405
DN065	76.1 x 2.0	13.5	125.0	104.0			704498	709388	705442	709406
DN080	88.9 x 2.3	13.5	137.0	116.0			704499	709389	705443	709407
DN100	114.3 x 2.3	15.5	168.0	146.0			704698	709390	705444	709408
DN125*	139.7 x 2.6	23.0	250.0	210.0			**	**	**	**
DN150*	168.3 x 2.6	23.0	285.0	240.0			**	**	**	**
DN200*	219.1 x 2.6	25.0	340.0	295.0			**	**	**	**
DN250*	273.0 x 3.0	25.0	405.0	355.0			**	**	**	**
DN300*	323.9 x 3.0	28.0	460.0	410.0			**	**	**	**

ASME BPE	Abmessung dimension	C	D	LK			MB 1.4435	e-pol. 1.4435	MB 1.4404	e-pol. 1.4404
DN 1/2"	12.7 x 1.65	11.5	54.0	37.0			704684	710251	709776	710259
DN 3/4"	19.05 x 1.65	11.5	59.0	42.0			704685	710252	709777	710260
DN 1"	25.4 x 1.65	11.5	66.0	49.0			704686	710253	705447	710261
DN 1 1/2"	38.1 x 1.65	11.5	79.0	62.0			704687	710254	705448	710262
DN 2"	50.8 x 1.65	11.5	92.0	75.0			704688	710255	705449	710263
DN 2 1/2"	63.5 x 1.65	11.5	107.0	89.0			704699	710256	705450	710264
DN 3"	76.2 x 1.65	13.5	125.0	104.0			704689	710257	705451	710265
DN 4"	101.6 x 2.11	15.5	157.0	135.0			704690	710258	705452	710266

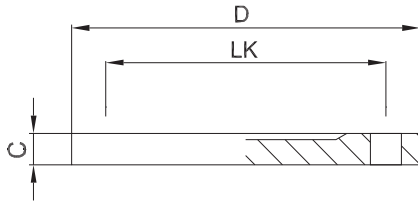
*) nicht in der DIN-Norm enthalten | non-standard

**) auf Anfrage | on request



2.4.5 Blindbundflansch DIN 11864-2-A/DIN 11853-2

blind flange with collar



weitere Abmessungen auf Anfrage | further dimensions on request

zusätzliche Oberflächenqualitäten analog Seite | additional surface qualities analog page 31

DIN	Abmessung dimension	C	D	LK			MB 1.4435	e-pol. 1.4435	MB 1.4404	e-pol. 1.4404
DN010	13.0 x 1.5	10.0	54.0	37.0			703587	709663	705399	709638
DN015	19.0 x 1.5	10.0	59.0	42.0			703588	709664	705400	709639
DN020	23.0 x 1.5	10.0	64.0	47.0			703589	709665	705401	709640
DN025	29.0 x 1.5	10.0	70.0	53.0			703590	709666	704988	709641
DN032	35.0 x 1.5	10.0	76.0	59.0			703591	709667	704989	709642
DN040	41.0 x 1.5	10.0	82.0	65.0			703592	709668	705402	709643
DN050	53.0 x 1.5	10.0	94.0	77.0			703593	709669	705403	709644
DN065	70.0 x 2.0	10.0	113.0	95.0			703594	709670	705404	709645
DN080	85.0 x 2.0	12.0	133.0	112.0			703595	709671	705405	709646
DN100	104.0 x 2.0	14.0	159.0	137.0			703596	709672	705406	709647
DN125	129.0 x 2.0	14.0	183.0	161.0			706266	709673	705407	709648
DN150	154.0 x 2.0	16.0	213.0	188.0			706267	709674	705408	709649
DN200*	204.0 x 2.0	25.0	340.0	295.0			**	**	**	**
DN250*	254.0 x 2.0	25.0	405.0	355.0			**	**	**	**
DN300*	304.0 x 2.0	28.0	460.0	410.0			**	**	**	**

ISO	Abmessung dimension	C	D	LK			MB 1.4435	e-pol. 1.4435	MB 1.4404	e-pol. 1.4404
DN008	13.5 x 1.6	10.0	54.0	37.0			704665	709369	709788	709792
DN010	17.2 x 1.6	10.0	59.0	42.0			704666	709370	709789	709793
DN015	21.3 x 1.6	10.0	62.0	45.0			704667	709371	705409	709391
DN020	26.9 x 1.6	10.0	69.0	52.0			704668	709372	705410	709392
DN025	33.7 x 2.0	10.0	74.0	57.0			704669	709373	705411	709393
DN032	42.4 x 2.0	10.0	82.0	65.0			704670	709374	705412	709394
DN040	48.3 x 2.0	10.0	88.0	71.0			704671	709375	705413	709395
DN050	60.3 x 2.0	10.0	103.0	85.0			704672	709376	705414	709396
DN065	76.1 x 2.0	12.0	125.0	104.0			704673	709377	705415	709397
DN080	88.9 x 2.3	12.0	137.0	116.0			704674	709378	705416	709398
DN100	114.3 x 2.3	14.0	168.0	146.0			704675	709379	705417	709399
DN125*	139.7 x 2.6	23.0	250.0	210.0			**	**	**	**
DN150*	168.3 x 2.6	23.0	285.0	240.0			**	**	**	**
DN200*	219.1 x 2.6	25.0	340.0	295.0			**	**	**	**
DN250*	273.0 x 3.0	25.0	405.0	355.0			**	**	**	**
DN300*	323.9 x 3.0	28.0	460.0	410.0			**	**	**	**

ASME BPE	Abmessung dimension	C	D	LK			MB 1.4435	e-pol. 1.4435	MB 1.4404	e-pol. 1.4404
DN 1/2"	12.7 x 1.65	10.0	54.0	37.0			704676	710267	709778	710275
DN 3/4"	19.05 x 1.65	10.0	59.0	42.0			704677	710268	709779	710276
DN 1"	25.4 x 1.65	10.0	66.0	49.0			704678	710269	705419	710277
DN 1 1/2"	38.1 x 1.65	10.0	79.0	62.0			704679	710270	705420	710278
DN 2"	50.8 x 1.65	10.0	92.0	75.0			704680	710271	705421	710279
DN 2 1/2"	63.5 x 1.65	10.0	107.0	89.0			704681	710272	705423	710280
DN 3"	76.2 x 1.65	12.0	125.0	104.0			704682	710273	705424	710281
DN 4"	101.6 x 2.11	14.0	157.0	135.0			704683	710274	705425	710282

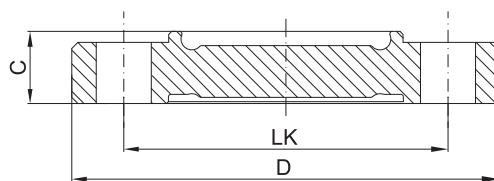
*) nicht in der DIN-Norm enthalten | non-standard

***) auf Anfrage | on request



2.4.6 Flanschblende in Anlehnung an DIN 11864-2-A/DIN 11853-2

orifice flange following DIN 11864-2-A/DIN 11853-2



zusätzliche Oberflächenqualitäten analog Seite | additional surface qualities analog page 33

weitere Abmessungen auf Anfrage | further dimensions on request

DIN	Abmessung dimension	C	D	LK			MB 1.4435			
DN010	13.0 x 1.5	11.5	54.0	37.0			707792			
DN015	19.0 x 1.5	11.5	59.0	42.0			707793			
DN020	23.0 x 1.5	11.5	64.0	47.0			707794			
DN025	29.0 x 1.5	11.5	70.0	53.0			707795			
DN032	35.0 x 1.5	11.5	76.0	59.0			707796			
DN040	41.0 x 1.5	11.5	82.0	65.0			707797			
DN050	53.0 x 1.5	11.5	94.0	77.0			707695			
DN065	70.0 x 2.0	11.5	113.0	95.0			707798			
DN080	85.0 x 2.0	13.5	133.0	112.0			707799			
DN100	104.0 x 2.0	15.5	159.0	137.0			707800			

ISO	Abmessung dimension	C	D	LK			MB 1.4435			
DN008	13.5 x 1.6	11.5	54.0	37.0			707241			
DN010	17.2 x 1.6	11.5	59.0	42.0			707242			
DN015	21.3 x 1.6	11.5	62.0	45.0			707243			
DN020	26.9 x 1.6	11.5	69.0	52.0			707244			
DN025	33.7 x 2.0	11.5	74.0	57.0			707245			
DN032	42.4 x 2.0	11.5	82.0	65.0			707246			
DN040	48.3 x 2.0	11.5	88.0	71.0			707247			
DN050	60.3 x 2.0	11.5	103.0	85.0			707248			
DN065	76.1 x 2.0	13.5	125.0	104.0			707249			
DN080	88.9 x 2.3	13.5	137.0	116.0			707250			
DN100	114.3 x 2.3	15.5	168.0	146.0			707251			

ASME BPE	Abmessung dimension	C	D	LK			MB 1.4435			
DN 1/2"	12.7 x 1.65	11.5	54.0	37.0			708821			
DN 3/4"	19.05 x 1.65	11.5	59.0	42.0			708822			
DN 1"	25.4 x 1.65	11.5	66.0	49.0			708823			
DN 1 1/2"	38.1 x 1.65	11.5	79.0	62.0			708824			
DN 2"	50.8 x 1.65	11.5	92.0	75.0			708825			
DN 2 1/2"	63.5 x 1.65	11.5	107.0	89.0			708826			
DN 3"	76.2 x 1.65	13.5	125.0	104.0			708827			
DN 4"	101.6 x 2.11	15.5	157.0	135.0			708828			



Lieferung erfolgt ohne Drosselbohrung
delivered without throttling port

Legende

- A Außendurchmesser
- B Innendurchmesser
- C Gesamtlänge
- E (Clamp-) Flansch-Außendurchmesser

Abmessungen

DIN 11866-A (DIN 11850)
 DIN 11866-B (EN ISO 1127)
 auf Anfrage: DIN 11866-C (ASME BPE)

Normative Verweisungen,

Anforderungen / Abnahmen (Vormaterial)

BN2
 EN 10088-1/-3
 EN 10204
 EN 10222-5 (Rohlinge)
 EN 10254 (Rohlinge)
 EN 10272
 ASTM A276
 ASTM A182/A182M / ASME SA182/SA182M
 ASTM A479/A479M / ASME SA479/SA479M
 ASME SA336 (Rohlinge)
 AD 2000-W2

Kennzeichnung

Hersteller, Werkstoff, Abmessung, Schmelze,
 STERI-Connect®

Toleranzen (Bezugsnorm)

ISO 2768-1

Verpackung

Schweißenden mit Kunststoffkappen verschlossen,
 einzeln verpackt.

Werkstoffe

1.4435 (mediumberührt)
 1.4301/08 (nicht mediumberührt)
 EPDM (Standard)

weitere Werkstoffe auf Anfrage

Oberflächenbeschaffenheit ("MB")

innen: feinstgedreht, Ra < 0.8 µm
 außen: feingedreht, Ra < 1.6 µm

Key

- external diameter
- internal diameter
- total length
- outer (clamp) flange diameter

Dimensions

DIN 11866-A (DIN 11850)
 DIN 11866-B (EN ISO 1127)
 on request: DIN 11866-C (ASME BPE)

Normative References,

Requirements / Approvals (raw material)

BN2
 EN 10088-1/-3
 EN 10204
 EN 10222-5 (forgings)
 EN 10254 (forgings)
 EN 10272
 ASTM A276
 ASTM A182/A182M / ASME SA182/SA182M
 ASTM A479/A479M / ASME SA479/SA479M
 ASME SA336 (forgings)
 AD 2000-W2

Marking

manufacturer, material, dimension, heat,
 STERI-Connect®

Tolerances (reference standard)

ISO 2768-1

Packaging

Welding ends covered with plastic caps,
 wrapped separately.

Materials

316L (at medium contact surface)
 304 (not at medium contact surface)
 EPDM (standard)

further materials on request

Surface condition ("MB")

inside: ultra-fine turned, Ra < 0.8 µm
 outside: refined turned, Ra < 1.6 µm



Oberflächenqualitäten | surface qualities

Innenoberfläche internal surface finish	(Zusatz-) Artikel-Nr. (additional) order No
e-poliert e-polished	999277
Ra < 0.6 µm (STERI-line®)	999279
Ra < 0.5 µm (STERI-line®)	999280
Ra < 0.4 µm (HQ-line®)	999281
Ra < 0.25 µm (HQ-line®)	999283

Bestellbeispiel | ordering example

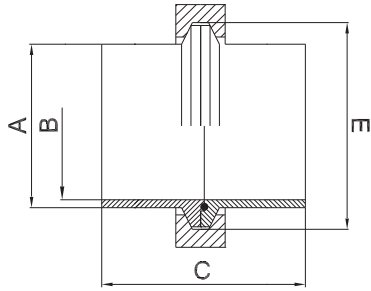
Artikelbezeichnung + Ausführungen article description + variants	Artikel-Nr. order No
Steril-Clampverbindung DN025 ISO (1.4435, EPDM) aseptic clamp connection STERI-Connect®	700211
e-poliert e-polished	+ 999277
Ra < 0.6 µm	+ 999279



Zubehör ab Seite 73 | accessories from page 73 on



2.5.1 Steril-Clampverbindung STERI-Connect®



weitere Abmessungen auf Anfrage | further dimensions on request

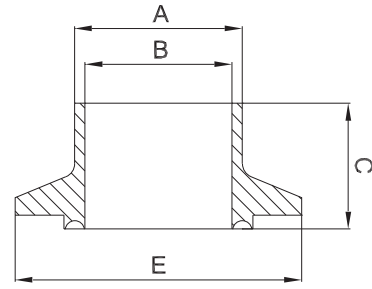
DIN	Abmessung dimension	A	B	C	E	MB 1.4435			
DN006	8.0 x 1.0	8.0	6.0	68.0	Ø 25.0	705243			
DN008	10.0 x 1.0	10.0	8.0	68.0	Ø 25.0	700218			
DN010	12.0 x 1.0	12.0	10.0	68.0	Ø 25.0	700202			
DN010	13.0 x 1.5	13.0	10.0	68.0	Ø 25.0	709785			
DN015	19.0 x 1.5	19.0	16.0	68.0	Ø 25.0	700206			
DN020	23.0 x 1.5	23.0	20.0	68.0	Ø 50.5	700208			
DN025	29.0 x 1.5	29.0	26.0	76.0	Ø 50.5	700210			
DN032	35.0 x 1.5	35.0	32.0	76.0	Ø 50.5	700212			
DN040	41.0 x 1.5	41.0	38.0	76.0	Ø 64.0	700214			
DN050	53.0 x 1.5	53.0	50.0	76.0	Ø 77.5	700216			
DN065	70.0 x 2.0	70.0	66.0	96.0	Ø 91.0	700219			
DN080	85.0 x 2.0	85.0	81.0	96.0	Ø 106.0	700222			
DN100	104.0 x 2.0	104.0	100.0	96.0	Ø 119.0	700204			

ISO	Abmessung dimension	A	B	C	E	MB 1.4435			
DN008	13.5 x 1.6	13.5	10.3	68.0	Ø 25.0	700221			
DN010	17.2 x 1.6	17.2	14.0	68.0	Ø 25.0	700203			
DN015	21.3 x 1.6	21.3	18.1	68.0	Ø 50.5	700207			
DN020	26.9 x 1.6	26.9	23.7	68.0	Ø 50.5	700209			
DN025	33.7 x 2.0	33.7	29.7	76.0	Ø 50.5	700211			
DN032	42.4 x 2.0	42.4	38.4	76.0	Ø 50.5	700213			
DN040	48.3 x 2.0	48.3	44.3	76.0	Ø 64.0	700215			
DN050	60.3 x 2.0	60.3	56.3	76.0	Ø 77.5	700217			
DN065	76.1 x 2.0	76.1	72.1	96.0	Ø 91.0	700220			
DN080	88.9 x 2.3	88.9	84.3	96.0	Ø 106.0	700223			
DN100	114.3 x 2.3	114.3	109.7	96.0	Ø 130.0	700205			



2.5.2 Steril-Clampstutzen -VS- STERI-Connect®

aseptic clamp -VS-



zusätzliche Oberflächenqualitäten analog Seite | additional surface qualities analog page 42

weitere Abmessungen auf Anfrage | further dimensions on request

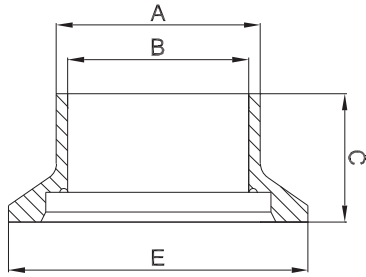
DIN	Abmessung dimension	A	B	C	E	MB 1.4435			
DN006	8.0 x 1.0	8.0	6.0	35.0	Ø 25.0	700196			
DN008	10.0 x 1.0	10.0	8.0	35.0	Ø 25.0	705241			
DN010	12.0 x 1.0	12.0	10.0	35.0	Ø 25.0	700180			
DN010	13.0 x 1.5	13.0	10.0	35.0	Ø 25.0	709768			
DN015	19.0 x 1.5	19.0	16.0	35.0	Ø 25.0	700184			
DN020	23.0 x 1.5	23.0	20.0	35.0	Ø 50.5	700186			
DN025	29.0 x 1.5	29.0	26.0	39.0	Ø 50.5	700188			
DN032	35.0 x 1.5	35.0	32.0	39.0	Ø 50.5	700190			
DN040	41.0 x 1.5	41.0	38.0	39.0	Ø 64.0	700192			
DN050	53.0 x 1.5	53.0	50.0	39.0	Ø 77.5	700194			
DN065	70.0 x 2.0	70.0	66.0	49.0	Ø 91.0	700197			
DN080	85.0 x 2.0	85.0	81.0	49.0	Ø 106.0	700200			
DN100	104.0 x 2.0	104.0	100.0	49.0	Ø 119.0	700182			

ISO	Abmessung dimension	A	B	C	E	MB 1.4435			
DN008	13.5 x 1.6	13.5	10.3	35.0	Ø 25.0	700199			
DN010	17.2 x 1.6	17.2	14.0	35.0	Ø 25.0	700181			
DN015	21.3 x 1.6	21.3	18.1	35.0	Ø 50.5	700185			
DN020	26.9 x 1.6	26.9	23.7	35.0	Ø 50.5	700187			
DN025	33.7 x 2.0	33.7	29.7	39.0	Ø 50.5	700189			
DN032	42.4 x 2.0	42.4	38.4	39.0	Ø 50.5	700191			
DN040	48.3 x 2.0	48.3	44.3	39.0	Ø 64.0	700193			
DN050	60.3 x 2.0	60.3	56.3	39.0	Ø 77.5	700195			
DN065	76.1 x 2.0	76.1	72.1	49.0	Ø 91.0	700198			
DN080	88.9 x 2.3	88.9	84.3	49.0	Ø 106.0	700201			
DN100	114.3 x 2.3	114.3	109.7	49.0	Ø 130.0	700183			



2.5.3 Steril-Clampstutzen -RS- STERI-Connect®

aseptic clamp -RS-



weitere Abmessungen auf Anfrage | further dimensions on request

zusätzliche Oberflächenqualitäten analog Seite | additional surface qualities analog page 42

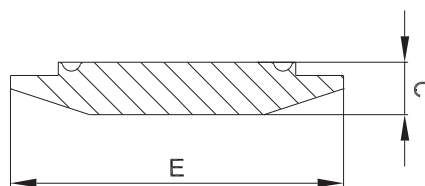
DIN	Abmessung dimension	A	B	C	E		MB 1.4435			
DN006	8.0 x 1.0	8.0	6.0	35.0	Ø 25.0		705242			
DN008	10.0 x 1.0	10.0	8.0	35.0	Ø 25.0		700174			
DN010	12.0 x 1.0	12.0	10.0	35.0	Ø 25.0		700158			
DN010	13.0 x 1.5	13.0	10.0	35.0	Ø 25.0		709768			
DN015	19.0 x 1.5	19.0	16.0	35.0	Ø 25.0		700162			
DN020	23.0 x 1.5	23.0	20.0	35.0	Ø 50.5		700164			
DN025	29.0 x 1.5	29.0	26.0	39.0	Ø 50.5		700166			
DN032	35.0 x 1.5	35.0	32.0	39.0	Ø 50.5		700168			
DN040	41.0 x 1.5	41.0	38.0	39.0	Ø 64.0		700170			
DN050	53.0 x 1.5	53.0	50.0	39.0	Ø 77.5		700172			
DN065	70.0 x 2.0	70.0	66.0	49.0	Ø 91.0		700175			
DN080	85.0 x 2.0	85.0	81.0	49.0	Ø 106.0		700178			
DN100	104.0 x 2.0	104.0	100.0	49.0	Ø 119.0		700160			

ISO	Abmessung dimension	A	B	C	E		MB 1.4435			
DN008	13.5 x 1.6	13.5	10.3	35.0	Ø 25.0		700177			
DN010	17.2 x 1.6	17.2	14.0	35.0	Ø 25.0		700159			
DN015	21.3 x 1.6	21.3	18.1	35.0	Ø 50.5		700163			
DN020	26.9 x 1.6	26.9	23.7	35.0	Ø 50.5		700165			
DN025	33.7 x 2.0	33.7	29.7	39.0	Ø 50.5		700167			
DN032	42.4 x 2.0	42.4	38.4	39.0	Ø 50.5		700169			
DN040	48.3 x 2.0	48.3	44.3	39.0	Ø 64.0		700171			
DN050	60.3 x 2.0	60.3	56.3	39.0	Ø 77.5		700173			
DN065	76.1 x 2.0	76.1	72.1	49.0	Ø 91.0		700176			
DN080	88.9 x 2.3	88.9	84.3	49.0	Ø 106.0		700179			
DN100	114.3 x 2.3	114.3	109.7	49.0	Ø 130.0		700161			



2.5.4 Steril-Blindclamps -VS- STERI-Connect®

aseptic blind clamp -VS-



zusätzliche Oberflächenqualitäten analog Seite | additional surface qualities analog page 42

weitere Abmessungen auf Anfrage | further dimensions on request

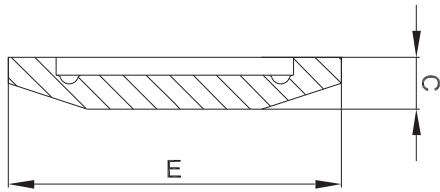
DIN	Abmessung dimension	C	E				MB 1.4435			
DN006	8.0 x 1.0	7.5	Ø 25.0				700154			
DN008	10.0 x 1.0	7.5	Ø 25.0				700156			
DN010	12.0 x 1.0	7.5	Ø 25.0				700146			
DN010	13.0 x 1.5	7.5	Ø 25.0				709840			
DN015	19.0 x 1.5	7.5	Ø 25.0				700148			
DN020	23.0 x 1.5	9.0	Ø 50.5				700149			
DN025	29.0 x 1.5	9.0	Ø 50.5				700150			
DN032	35.0 x 1.5	9.0	Ø 50.5				700151			
DN040	41.0 x 1.5	9.0	Ø 64.0				700152			
DN050	53.0 x 1.5	9.0	Ø 77.5				700153			
DN065	70.0 x 2.0	9.0	Ø 91.0				700155			
DN080	85.0 x 2.0	11.0	Ø 106.0				700157			
DN100	104.0 x 2.0	11.0	Ø 119.0				700147			

ISO	Abmessung dimension	C	E				MB 1.4435			
DN008	13.5 x 1.6	7.5	Ø 25.0				704971			
DN010	17.2 x 1.6	7.5	Ø 25.0				705281			
DN015	21.3 x 1.6	7.5	Ø 50.5				705282			
DN020	26.9 x 1.6	9.0	Ø 50.5				705283			
DN025	33.7 x 2.0	9.0	Ø 50.5				705284			
DN032	42.4 x 2.0	9.0	Ø 50.5				705285			
DN040	48.3 x 2.0	9.0	Ø 64.0				705286			
DN050	60.3 x 2.0	9.0	Ø 77.5				705287			
DN065	76.1 x 2.0	9.0	Ø 91.0				705288			
DN080	88.9 x 2.3	11.0	Ø 106.0				705289			
DN100	114.3 x 2.3	11.0	Ø 130.0				705290			



2.5.5 Steril-Blindclamps -RS- STERI-Connect®

aseptic blind clamp -RS-



weitere Abmessungen auf Anfrage | further dimensions on request

zusätzliche Oberflächenqualitäten analog Seite | additional surface qualities analog page 42

DIN	Abmessung dimension	C	E				MB 1.4435			
DN006	8.0 x 1.0	7.5	Ø 25.0				700142			
DN008	10.0 x 1.0	7.5	Ø 25.0				700144			
DN010	12.0 x 1.0	7.5	Ø 25.0				700134			
DN010	13.0 x 1.5	7.5	Ø 25.0				709841			
DN015	19.0 x 1.5	7.5	Ø 25.0				700136			
DN020	23.0 x 1.5	9.0	Ø 50.5				700137			
DN025	29.0 x 1.5	9.0	Ø 50.5				700138			
DN032	35.0 x 1.5	9.0	Ø 50.5				700139			
DN040	41.0 x 1.5	9.0	Ø 64.0				700140			
DN050	53.0 x 1.5	9.0	Ø 77.5				700141			
DN065	70.0 x 2.0	9.0	Ø 91.0				700143			
DN080	85.0 x 2.0	11.0	Ø 106.0				700145			
DN100	104.0 x 2.0	11.0	Ø 119.0				700135			

ISO	Abmessung dimension	C	E				MB 1.4435			
DN008	13.5 x 1.6	7.5	Ø 25.0				704972			
DN010	17.2 x 1.6	7.5	Ø 25.0				704957			
DN015	21.3 x 1.6	7.5	Ø 50.5				703066			
DN020	26.9 x 1.6	9.0	Ø 50.5				705274			
DN025	33.7 x 2.0	9.0	Ø 50.5				705275			
DN032	42.4 x 2.0	9.0	Ø 50.5				705276			
DN040	48.3 x 2.0	9.0	Ø 64.0				705277			
DN050	60.3 x 2.0	9.0	Ø 77.5				703065			
DN065	76.1 x 2.0	9.0	Ø 91.0				705278			
DN080	88.9 x 2.3	11.0	Ø 106.0				705279			
DN100	114.3 x 2.3	11.0	Ø 130.0				705280			



Legende

- A Außendurchmesser
- B Innendurchmesser
- C Gesamtlänge
- E (Clamp-) Flansch-Außendurchmesser

Abmessungen

- DIN 11866-A (DIN 11850)
- DIN 11866-B (EN ISO 1127)
- DIN 11866-C (ASME BPE)

Normative Verweisungen,

Anforderungen / Abnahmen (Vormaterial)

- DIN 11864
- BN2 (gültig für Bauteile in 1.4435)
- EN 10088-1/-3
- EN 10204
- EN 10222-5 (Rohlinge)
- EN 10254 (Rohlinge)
- EN 10272
- ASTM A276
- ASTM A182/A182M / ASME SA182/SA182M
- ASTM A479/A479M / ASME SA479/SA479M
- ASME SA336 (Rohlinge)
- AD 2000-W2

Kennzeichnung

Hersteller, Werkstoff, Abmessung, Schmelze, DIN 11864

Toleranzen (Bezugsnorm)

DIN 11864 / ISO 2768-1

Verpackung

Schweißenden mit Kunststoffkappen verschlossen, einzeln verpackt.

Werkstoffe

- 1.4435 / 1.4404 (mediumberührt)
- 1.4301/08 (nicht mediumberührt)
- EPDM (Standard)

weitere Werkstoffe auf Anfrage

Oberflächenbeschaffenheit ("MB")

innen: feinstgedreht, Ra < 0.8 µm
 außen: feingedreht, Ra < 1.6 µm

Key

- external diameter
- internal diameter
- total length
- outer (clamp) flange diameter

Dimensions

- DIN 11866-A (DIN 11850)
- DIN 11866-B (EN ISO 1127)
- DIN 11866-C (ASME BPE)

Normative References,

Requirements / Approvals (raw material)

- DIN 11864
- BN2 (valid for components in 1.4435)
- EN 10088-1/-3
- EN 10204
- EN 10222-5 (forgings)
- EN 10254 (forgings)
- EN 10272
- ASTM A276
- ASTM A182/A182M / ASME SA182/SA182M
- ASTM A479/A479M / ASME SA479/SA479M
- ASME SA336 (forgings)
- AD 2000-W2

Marking

manufacturer, material, dimension, heat, DIN 11864

Tolerances (reference standard)

DIN 11864 / ISO 2768-1

Packaging

Welding ends covered with plastic caps, wrapped separately.

Materials

- 316L (at medium contact surface)
- 304 (not at medium contact surface)
- EPDM (standard)

further materials on request

Surface condition ("MB")

inside: ultra-fine turned, Ra < 0.8 µm
 outside: refined turned, Ra < 1.6 µm



Oberflächenqualitäten | surface qualities

Innenoberfläche internal surface finish	(Zusatz-) Artikel-Nr. (additional) order No
Ra < 0.6 µm (STERI-line®)	999279
Ra < 0.5 µm (STERI-line®)	999280
Ra < 0.4 µm (HQ-line®)	999281
Ra < 0.25 µm (HQ-line®)	999283

Bestellbeispiel | ordering example

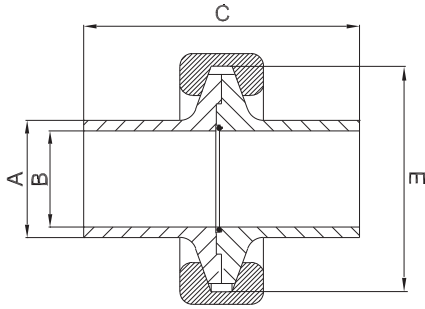
Artikelbezeichnung + Ausführungen article description + variants	Artikel-Nr. order No
Steril-Clampverbindung DN025 ISO (1.4435, EPDM) aseptic clamp connection DIN 11864-3-A	707622
e-polier e-polished	
Ra < 0.4 µm	+ 999281



Zubehör ab Seite 75 | accessories from page 75 on



2.6.1 S Steril-Clampverbindung DIN 11864-3-A



weitere Abmessungen auf Anfrage | further dimensions on request

DIN	Abmessung dimension	A	B	C	E		MB 1.4435	e-pol. 1.4435	MB 1.4404	e-pol. 1.4404
DN010*	12.0 x 1.0	12.0	10.0	76.0	Ø 34.0		707227	708862	XXX	XXX
DN010	13.0 x 1.5	13.0	10.0	76.0	Ø 34.0		704824	710290	706098	710304
DN015	19.0 x 1.5	19.0	16.0	76.0	Ø 34.0		704825	710291	706099	710305
DN020	23.0 x 1.5	23.0	20.0	76.0	Ø 50.5		704826	710292	706100	710306
DN025	29.0 x 1.5	29.0	26.0	77.0	Ø 50.5		704827	710293	706101	710307
DN032	35.0 x 1.5	35.0	32.0	88.0	Ø 50.5		704828	710294	706102	710308
DN040	41.0 x 1.5	41.0	38.0	88.0	Ø 64.0		704829	710295	706103	710309
DN050	53.0 x 1.5	53.0	50.0	89.0	Ø 77.5		704830	710296	706104	710310
DN065	70.0 x 2.0	70.0	66.0	113.0	Ø 91.0		704831	710297	706105	710311
DN080	85.0 x 2.0	85.0	81.0	117.0	Ø 106.0		704832	710298	706106	710312
DN100	104.0 x 2.0	104.0	100.0	120.0	Ø 130.0		704833	710299	706107	710313
DN125*	129.0 x 2.0	129.0	125.0	120.0	Ø 155.0		710288	710300	710302	710314
DN150*	154.0 x 2.0	154.0	150.0	120.0	Ø 183.0		710289	710301	710303	710315

ISO	Abmessung dimension	A	B	C	E		MB 1.4435	e-pol. 1.4435	MB 1.4404	e-pol. 1.4404
DN008	13.5 x 1.6	13.5	10.3	76.0	Ø 34.0		704842	707618	706545	707629
DN010	17.2 x 1.6	17.2	14.0	76.0	Ø 34.0		704843	707619	706547	707630
DN015	21.3 x 1.6	21.3	18.1	78.0	Ø 34.0		704844	707620	706549	707631
DN020	26.9 x 1.6	26.9	23.7	78.0	Ø 50.5		704845	707621	706551	707632
DN025	33.7 x 2.0	33.7	29.7	88.0	Ø 50.5		704846	707622	706553	707633
DN032	42.4 x 2.0	42.4	38.4	88.0	Ø 64.0		704847	707623	706555	707634
DN040	48.3 x 2.0	48.3	44.3	90.0	Ø 64.0		704848	707624	706557	707635
DN050	60.3 x 2.0	60.3	56.3	114.0	Ø 91.0		704849	707625	706559	707636
DN065	76.1 x 2.0	76.1	72.1	117.0	Ø 106.0		704850	707626	706561	707637
DN080	88.9 x 2.3	88.9	84.3	122.0	Ø 119.0		704851	707627	706563	707638
DN100*	114.3 x 2.3	114.3	109.7	130.0	Ø 144.4		704852	707628	706565	707639
DN125*	139.7 x 2.6	139.7	134.5	120.0	Ø 155.0		710316	710319	710322	710325
DN150*	168.3 x 2.6	168.3	163.1	120.0	Ø 183.0		710317	710320	710323	710326
DN200*	219.1 x 2.6	219.1	213.9	120.0	Ø 233.5		710318	710321	710324	710327

ASME BPE	Abmessung dimension	A	B	C	E		MB 1.4435	e-pol. 1.4435	MB 1.4404	e-pol. 1.4404
DN 1/2"	12.7 x 1.65	12.7	9.4	76.0	Ø 34.0		704834	710328	710335	710343
DN 3/4"	19.05 x 1.65	19.05	15.75	76.0	Ø 34.0		704835	709128	710336	710344
DN 1"	25.4 x 1.65	25.4	22.1	77.0	Ø 50.5		704836	710329	710337	710345
DN 1 1/2"	38.1 x 1.65	38.1	34.8	88.0	Ø 64.0		704837	710330	710338	710346
DN 2"	50.8 x 1.65	50.8	47.5	89.0	Ø 77.5		704838	710331	710339	710347
DN 2 1/2"	63.5 x 1.65	63.5	60.2	115.0	Ø 91.0		704839	710332	710340	710348
DN 3"	76.2 x 1.65	76.2	72.9	117.0	Ø 106.0		704840	710333	710341	710349
DN 4"	101.6 x 2.11	101.6	97.38	119.0	Ø 130.0		704841	710334	710342	710350

*) nicht in der DIN-Norm enthalten | non-standard



Legende

- A Außendurchmesser
- B Innendurchmesser
- C Gesamtlänge
- E (Clamp-) Flansch-Außendurchmesser

Abmessungen

- DIN 11866-A (DIN 11850)
- DIN 11866-B (EN ISO 1127)
- DIN 11866-C (ASME BPE)

Normative Verweisungen, Anforderungen / Abnahmen (Vormaterial)

- DIN 11853
- EN 10088-1/-3
- EN 10204
- EN 10222-5 (Rohlinge)
- EN 10254 (Rohlinge)
- EN 10272
- ASTM A276
- ASTM A182/A182M / ASME SA182/SA182M
- ASTM A479/A479M / ASME SA479/SA479M
- ASME SA336 (Rohlinge)
- AD 2000-W2

Kennzeichnung

Hersteller, Werkstoff, Abmessung, Schmelze, DIN 11853

Toleranzen (Bezugsnorm)

DIN 11853 / ISO 2768-1

Verpackung

Schweißenden mit Kunststoffkappen verschlossen, einzeln verpackt.

Werkstoffe

- 1.4404 (mediumberührt)
- 1.4301/08 (nicht mediumberührt)
- EPDM (Standard)

weitere Werkstoffe auf Anfrage

Oberflächenbeschaffenheit ("MB")

innen: feinstgedreht, Ra < 0.8 µm
 außen: feingedreht, Ra < 1.6 µm

Key

- external diameter
- internal diameter
- total length
- outer (clamp) flange diameter

Dimensions

- DIN 11866-A (DIN 11850)
- DIN 11866-B (EN ISO 1127)
- DIN 11866-C (ASME BPE)

Normative References, Requirements / Approvals (raw material)

- DIN 11853
- EN 10088-1/-3
- EN 10204
- EN 10222-5 (forgings)
- EN 10254 (forgings)
- EN 10272
- ASTM A276
- ASTM A182/A182M / ASME SA182/SA182M
- ASTM A479/A479M / ASME SA479/SA479M
- ASME SA336 (forgings)
- AD 2000-W2

Marking

manufacturer, material, dimension, heat, DIN 11853

Tolerances (reference standard)

DIN 11853 / ISO 2768-1

Packaging

Welding ends covered with plastic caps, wrapped separately.

Materials

- 316L (at medium contact surface)
- 304 (not at medium contact surface)
- EPDM (standard)

further materials on request

Surface condition ("MB")

inside: ultra-fine turned, Ra < 0.8 µm
 outside: refined turned, Ra < 1.6 µm



Oberflächenqualitäten | surface qualities

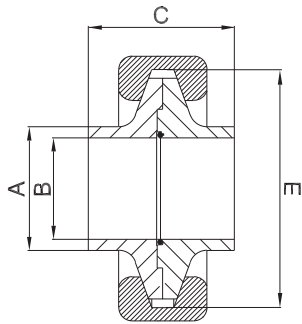
Innenoberfläche internal surface finish	(Zusatz-) Artikel-Nr. (additional) order No
e-polier e-polished	999277
Ra < 0.6 µm (STERI-line®)	999279
Ra < 0.5 µm (STERI-line®)	999280
Ra < 0.4 µm (HQ-line®)	999281
Ra < 0.25 µm (HQ-line®)	999283

Bestellbeispiel | ordering example

Artikelbezeichnung + Ausführungen article description + variants	Artikel-Nr. order No
Hygiene-Clampverbindung DN025 ISO (1.4404, EPDM) hygienic clamp connection DIN 11853-3	706554
Ra < 0.5 µm	
	+ 999280



Zubehör ab Seite 75 | accessories from page 75 on



weitere Abmessungen auf Anfrage | further dimensions on request

DIN	Abmessung dimension	A	B	C	E	MB 1.4404
DN010	13.0 x 1.5	13.0	10.0	44.0	Ø 34.0	706108
DN015	19.0 x 1.5	19.0	16.0	44.0	Ø 34.0	706109
DN020	23.0 x 1.5	23.0	20.0	44.0	Ø 50.5	706110
DN025	29.0 x 1.5	29.0	26.0	44.0	Ø 50.5	706111
DN032	35.0 x 1.5	35.0	32.0	48.0	Ø 50.5	706112
DN040	41.0 x 1.5	41.0	38.0	48.0	Ø 64.0	706113
DN050	53.0 x 1.5	53.0	50.0	49.0	Ø 77.5	706114
DN065	70.0 x 2.0	70.0	66.0	53.0	Ø 91.0	706115
DN080	85.0 x 2.0	85.0	81.0	57.0	Ø 106.0	706116
DN100	104.0 x 2.0	104.0	100.0	60.0	Ø 130.0	706117
DN125*	129.0 x 2.0	129.0	125.0	60.0	Ø 155.0	710629
DN150*	154.0 x 2.0	154.0	150.0	60.0	Ø 183.0	710630
DN200*	204.0 x 2.0	204.0	200.0	60.0	Ø 233.5	710631

ISO	Abmessung dimension	A	B	C	E	MB 1.4404
DN008	13.5 x 1.6	13.5	10.3	44.0	Ø 34.0	706546
DN010	17.2 x 1.6	17.2	14.0	44.0	Ø 34.0	706548
DN015	21.3 x 1.6	21.3	18.1	44.0	Ø 34.0	706550
DN020	26.9 x 1.6	26.9	23.7	44.0	Ø 50.5	706552
DN025	33.7 x 2.0	33.7	29.7	48.0	Ø 50.5	706554
DN032	42.4 x 2.0	42.4	38.4	48.0	Ø 64.0	706556
DN040	48.3 x 2.0	48.3	44.3	50.0	Ø 64.0	706558
DN050	60.3 x 2.0	60.3	56.3	54.0	Ø 91.0	706560
DN065	76.1 x 2.0	76.1	72.1	57.0	Ø 106.0	706562
DN080	88.9 x 2.3	88.9	84.3	62.0	Ø 119.0	706564
DN100*	114.3 x 2.3	114.3	109.7	62.0	Ø 144.4	706566

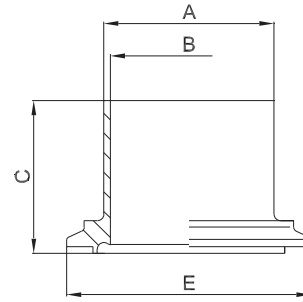
ASME BPE	Abmessung dimension	A	B	C	E	MB 1.4404
DN 1/2"	12.7 x 1.65	12.7	9.4	44.0	Ø 34.0	710632
DN 3/4"	19.05 x 1.65	19.05	15.75	44.0	Ø 34.0	710633
DN 1"	25.4 x 1.65	25.4	22.1	44.0	Ø 50.5	710634
DN 1 1/2"	38.1 x 1.65	38.1	34.8	48.0	Ø 64.0	710635
DN 2"	50.8 x 1.65	50.8	47.5	49.0	Ø 77.5	710636
DN 2 1/2"	63.5 x 1.65	63.5	60.2	55.0	Ø 91.0	710637
DN 3"	76.2 x 1.65	76.2	72.9	57.0	Ø 106.0	710638
DN 4"	101.6 x 2.11	101.6	97.38	59.0	Ø 130.0	710639

*) nicht in der DIN-Norm enthalten | non-standard



2.6.2 S Steril-Nutclampsutzen DIN 11864-3-A

aseptic clamp with groove



zusätzliche Oberflächenqualitäten analog Seite | additional surface qualities analog page 48

weitere Abmessungen auf Anfrage | further dimensions on request

DIN	Abmessung dimension	A	B	C	E	MB 1.4435	e-pol. 1.4435	MB 1.4404	e-pol. 1.4404
DN010*	12.0 x 1.0	12.0	10.0	39.5	Ø 34.0	706781	708260	XXX	XXX
DN010	13.0 x 1.5	13.0	10.0	39.5	Ø 34.0	704775	709067	706118	710362
DN015	19.0 x 1.5	19.0	16.0	39.5	Ø 34.0	704776	708253	706119	710363
DN020	23.0 x 1.5	23.0	20.0	39.5	Ø 50.5	704777	708256	706120	709314
DN025	29.0 x 1.5	29.0	26.0	40.0	Ø 50.5	704778	708255	705127	710364
DN032	35.0 x 1.5	35.0	32.0	45.5	Ø 50.5	704779	709068	706121	710365
DN040	41.0 x 1.5	41.0	38.0	45.5	Ø 64.0	704780	710353	706122	710366
DN050	53.0 x 1.5	53.0	50.0	46.0	Ø 77.5	704781	710354	706123	710367
DN065	70.0 x 2.0	70.0	66.0	58.0	Ø 91.0	704782	710355	706124	710368
DN080	85.0 x 2.0	85.0	81.0	60.0	Ø 106.0	704783	710356	706125	710369
DN100	104.0 x 2.0	104.0	100.0	61.5	Ø 130.0	704784	710357	706126	710370
DN125*	129.0 x 2.0	129.0	125.0	61.5	Ø 155.0	710351	710358	710360	710371
DN150*	154.0 x 2.0	154.0	150.0	61.5	Ø 183.0	710352	710359	710361	710372

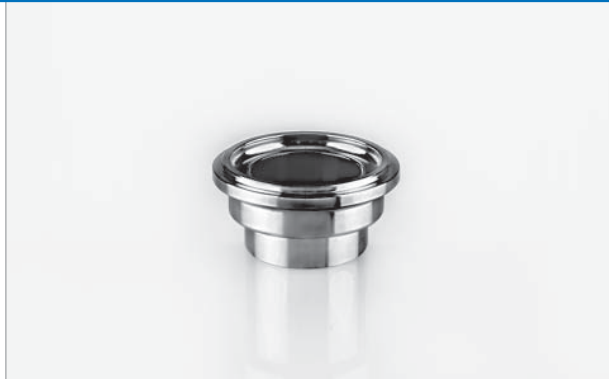
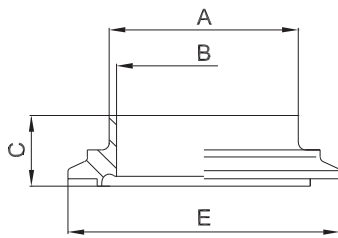
ISO	Abmessung dimension	A	B	C	E	MB 1.4435	e-pol. 1.4435	MB 1.4404	e-pol. 1.4404
DN008	13.5 x 1.6	13.5	10.3	39.5	Ø 34.0	704585	707552	706578	707563
DN010	17.2 x 1.6	17.2	14.0	39.5	Ø 34.0	704765	707553	706579	707564
DN015	21.3 x 1.6	21.3	18.1	40.5	Ø 34.0	704766	707554	706580	707565
DN020	26.9 x 1.6	26.9	23.7	40.5	Ø 50.5	704767	707555	706581	707566
DN025	33.7 x 2.0	33.7	29.7	45.5	Ø 50.5	704768	707556	706582	707567
DN032	42.4 x 2.0	42.4	38.4	45.5	Ø 64.0	704769	707557	706583	707568
DN040	48.3 x 2.0	48.3	44.3	46.5	Ø 64.0	704770	707558	706584	707569
DN050	60.3 x 2.0	60.3	56.3	58.5	Ø 91.0	704771	707559	706585	707570
DN065	76.1 x 2.0	76.1	72.1	60.0	Ø 106.0	704772	707560	706586	707571
DN080	88.9 x 2.3	88.9	84.3	62.5	Ø 119.0	704773	707561	706587	707572
DN100*	114.3 x 2.3	114.3	109.7	66.5	Ø 144.4	704774	707562	706588	707573
DN125*	139.7 x 2.6	139.7	134.5	61.5	Ø 155.0	710373	710376	710379	710382
DN150*	168.3 x 2.6	168.3	163.1	61.5	Ø 183.0	710374	710377	710380	710383
DN200*	219.1 x 2.6	219.1	213.9	61.5	Ø 233.5	710375	710378	710381	710384

ASME BPE	Abmessung dimension	A	B	C	E	MB 1.4435	e-pol. 1.4435	MB 1.4404	e-pol. 1.4404
DN 1/2"	12.7 x 1.65	12.7	9.4	39.5	Ø 34.0	704785	710385	710393	710401
DN 3/4"	19.05 x 1.65	19.05	15.75	39.5	Ø 34.0	704786	710386	710394	710402
DN 1"	25.4 x 1.65	25.4	22.1	40.0	Ø 50.5	704787	710387	710395	710403
DN 1 1/2"	38.1 x 1.65	38.1	34.8	45.5	Ø 64.0	704788	710388	710396	710404
DN 2"	50.8 x 1.65	50.8	47.5	46.0	Ø 77.5	704789	710389	710397	710405
DN 2 1/2"	63.5 x 1.65	63.5	60.2	59.0	Ø 91.0	704790	710390	710398	710406
DN 3"	76.2 x 1.65	76.2	72.9	60.0	Ø 106.0	704791	710391	710399	710407
DN 4"	101.6 x 2.11	101.6	97.38	61.0	Ø 130.0	704792	710392	710400	710408

*) nicht in der DIN-Norm enthalten | non-standard



hygienic clamp with groove



zusätzliche Oberflächenqualitäten analog Seite | additional surface qualities analog page 50

weitere Abmessungen auf Anfrage | further dimensions on request

DIN	Abmessung dimension	A	B	C	E		MB 1.4404			
DN010	13.0 x 1.5	13.0	10.0	23.5	Ø 34.0		706127			
DN015	19.0 x 1.5	19.0	16.0	23.5	Ø 34.0		706128			
DN020	23.0 x 1.5	23.0	20.0	23.5	Ø 50.5		706129			
DN025	29.0 x 1.5	29.0	26.0	23.5	Ø 50.5		706130			
DN032	35.0 x 1.5	35.0	32.0	25.5	Ø 50.5		706131			
DN040	41.0 x 1.5	41.0	38.0	25.5	Ø 64.0		706132			
DN050	53.0 x 1.5	53.0	50.0	26.0	Ø 77.5		706133			
DN065	70.0 x 2.0	70.0	66.0	28.0	Ø 91.0		706134			
DN080	85.0 x 2.0	85.0	81.0	30.0	Ø 106.0		706135			
DN100	104.0 x 2.0	104.0	100.0	31.5	Ø 130.0		706136			
DN125*	129.0 x 2.0	129.0	125.0	31.5	Ø 155.0		710640			
DN150*	154.0 x 2.0	154.0	150.0	31.5	Ø 183.0		710641			
DN200*	204.0 x 2.0	204.0	200.0	31.5	Ø 233.5		709484			

ISO	Abmessung dimension	A	B	C	E		MB 1.4404			
DN008	13.5 x 1.6	13.5	10.3	23.5	Ø 34.0		706567			
DN010	17.2 x 1.6	17.2	14.0	23.5	Ø 34.0		706568			
DN015	21.3 x 1.6	21.3	18.1	23.5	Ø 34.0		706569			
DN020	26.9 x 1.6	26.9	23.7	23.5	Ø 50.5		706570			
DN025	33.7 x 2.0	33.7	29.7	25.5	Ø 50.5		706571			
DN032	42.4 x 2.0	42.4	38.4	25.5	Ø 64.0		706572			
DN040	48.3 x 2.0	48.3	44.3	26.5	Ø 64.0		706573			
DN050	60.3 x 2.0	60.3	56.3	28.5	Ø 91.0		706574			
DN065	76.1 x 2.0	76.1	72.1	30.0	Ø 106.0		706575			
DN080	88.9 x 2.3	88.9	84.3	32.5	Ø 119.0		706576			
DN100*	114.3 x 2.3	114.3	109.7	32.5	Ø 144.4		706577			

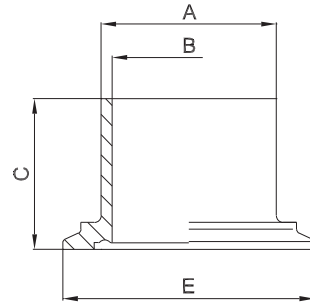
ASME BPE	Abmessung dimension	A	B	C	E		MB 1.4404			
DN 1/2"	12.7 x 1.65	12.7	9.4	23.5	Ø 34.0		710642			
DN 3/4"	19.05 x 1.65	19.05	15.75	23.5	Ø 34.0		710643			
DN 1"	25.4 x 1.65	25.4	22.1	23.5	Ø 50.5		710644			
DN 1 1/2"	38.1 x 1.65	38.1	34.8	25.5	Ø 64.0		710645			
DN 2"	50.8 x 1.65	50.8	47.5	26.0	Ø 77.5		710646			
DN 2 1/2"	63.5 x 1.65	63.5	60.2	29.0	Ø 91.0		710647			
DN 3"	76.2 x 1.65	76.2	72.9	30.0	Ø 106.0		710648			
DN 4"	101.6 x 2.11	101.6	97.38	31.0	Ø 130.0		710649			

*) nicht in der DIN-Norm enthalten | non-standard



2.6.3 S Steril-Bundclampstutzen DIN 11864-3-A

aseptic clamp with collar



zusätzliche Oberflächenqualitäten analog Seite | additional surface qualities analog page 48

weitere Abmessungen auf Anfrage | further dimensions on request

DIN	Abmessung dimension	A	B	C	E		MB 1.4435	e-pol. 1.4435	MB 1.4404	e-pol. 1.4404
DN010*	12.0 x 1.0	12.0	10.0	38.0	Ø 34.0		706782	708259	XXX	XXX
DN010	13.0 x 1.5	13.0	10.0	38.0	Ø 34.0		704740	710411	706137	710421
DN015	19.0 x 1.5	19.0	16.0	38.0	Ø 34.0		704308	708254	706138	710422
DN020	23.0 x 1.5	23.0	20.0	38.0	Ø 50.5		704309	708258	706139	709313
DN025	29.0 x 1.5	29.0	26.0	38.5	Ø 50.5		704310	708257	706140	710423
DN032	35.0 x 1.5	35.0	32.0	44.0	Ø 50.5		704741	709066	706141	710424
DN040	41.0 x 1.5	41.0	38.0	44.0	Ø 64.0		704742	710412	706142	710425
DN050	53.0 x 1.5	53.0	50.0	44.5	Ø 77.5		704743	710413	706143	710426
DN065	70.0 x 2.0	70.0	66.0	56.5	Ø 91.0		704744	710414	706144	710427
DN080	85.0 x 2.0	85.0	81.0	58.5	Ø 106.0		704745	710415	706145	710428
DN100	104.0 x 2.0	104.0	100.0	60.0	Ø 130.0		704746	710416	706146	710429
DN125*	129.0 x 2.0	129.0	125.0	60.0	Ø 155.0		710409	710417	710419	710430
DN150*	154.0 x 2.0	154.0	150.0	60.0	Ø 183.0		710410	710418	710420	710431

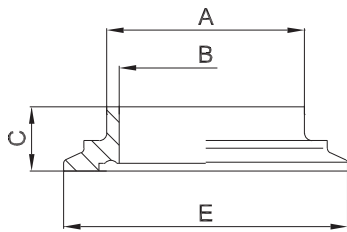
ISO	Abmessung dimension	A	B	C	E		MB 1.4435	e-pol. 1.4435	MB 1.4404	e-pol. 1.4404
DN008	13.5 x 1.6	13.5	10.3	38.0	Ø 34.0		704586	707585	706600	707596
DN010	17.2 x 1.6	17.2	14.0	38.0	Ø 34.0		704755	707586	706601	707597
DN015	21.3 x 1.6	21.3	18.1	39.0	Ø 34.0		704756	707587	706602	707598
DN020	26.9 x 1.6	26.9	23.7	39.0	Ø 50.5		704757	707588	706603	707599
DN025	33.7 x 2.0	33.7	29.7	44.0	Ø 50.5		704758	707589	706604	707600
DN032	42.4 x 2.0	42.4	38.4	44.0	Ø 64.0		704559	707590	706605	707601
DN040	48.3 x 2.0	48.3	44.3	45.0	Ø 64.0		704759	707591	706606	707602
DN050	60.3 x 2.0	60.3	56.3	57.0	Ø 91.0		704760	707592	706607	707603
DN065	76.1 x 2.0	76.1	72.1	58.5	Ø 106.0		704761	707593	706608	707604
DN080	88.9 x 2.3	88.9	84.3	61.0	Ø 119.0		704762	707594	706609	707605
DN100*	114.3 x 2.3	114.3	109.7	65.0	Ø 144.4		704763	707595	706610	707606
DN125*	139.7 x 2.6	139.7	134.5	60.0	Ø 155.0		710432	710435	710438	710441
DN150*	168.3 x 2.6	168.3	163.1	60.0	Ø 183.0		710433	710436	710439	710442
DN200*	219.1 x 2.6	219.1	213.9	60.0	Ø 233.5		710434	710437	710440	710443

ASME BPE	Abmessung dimension	A	B	C	E		MB 1.4435	e-pol. 1.4435	MB 1.4404	e-pol. 1.4404
DN 1/2"	12.7 x 1.65	12.7	9.4	38.0	Ø 34.0		704747	710444	710452	710459
DN 3/4"	19.05 x 1.65	19.05	15.75	38.0	Ø 34.0		704748	710445	710453	710460
DN 1"	25.4 x 1.65	25.4	22.1	38.5	Ø 50.5		704749	710446	710454	710461
DN 1 1/2"	38.1 x 1.65	38.1	34.8	44.0	Ø 64.0		704750	710447	710455	710462
DN 2"	50.8 x 1.65	50.8	47.5	44.5	Ø 77.5		704751	710448	710456	710463
DN 2 1/2"	63.5 x 1.65	63.5	60.2	57.5	Ø 91.0		704752	710449	709455	710464
DN 3"	76.2 x 1.65	76.2	72.9	58.5	Ø 106.0		704753	710450	710457	710465
DN 4"	101.6 x 2.11	101.6	97.38	59.5	Ø 130.0		704754	710451	710458	710466

*) nicht in der DIN-Norm enthalten | non-standard



hygienic clamp with collar



zusätzliche Oberflächenqualitäten analog Seite | additional surface qualities analog page 50

weitere Abmessungen auf Anfrage | further dimensions on request

DIN	Abmessung dimension	A	B	C	E		MB 1.4404			
DN010	13.0 x 1.5	13.0	10.0	22.0	Ø 34.0		706147			
DN015	19.0 x 1.5	19.0	16.0	22.0	Ø 34.0		706148			
DN020	23.0 x 1.5	23.0	20.0	22.0	Ø 50.5		706149			
DN025	29.0 x 1.5	29.0	26.0	22.0	Ø 50.5		706150			
DN032	35.0 x 1.5	35.0	32.0	24.0	Ø 50.5		706151			
DN040	41.0 x 1.5	41.0	38.0	24.0	Ø 64.0		706152			
DN050	53.0 x 1.5	53.0	50.0	24.5	Ø 77.5		706153			
DN065	70.0 x 2.0	70.0	66.0	26.5	Ø 91.0		706154			
DN080	85.0 x 2.0	85.0	81.0	28.5	Ø 106.0		706155			
DN100	104.0 x 2.0	104.0	100.0	30.0	Ø 130.0		706156			
DN125*	129.0 x 2.0	129.0	125.0	30.0	Ø 155.0		710651			
DN150*	154.0 x 2.0	154.0	150.0	30.0	Ø 183.0		710652			
DN200*	204.0 x 2.0	204.0	200.0	30.0	Ø 233.5		709485			

ISO	Abmessung dimension	A	B	C	E		MB 1.4404			
DN008	13.5 x 1.6	13.5	10.3	22.0	Ø 34.0		706589			
DN010	17.2 x 1.6	17.2	14.0	22.0	Ø 34.0		706590			
DN015	21.3 x 1.6	21.3	18.1	22.0	Ø 34.0		706591			
DN020	26.9 x 1.6	26.9	23.7	22.0	Ø 50.5		706592			
DN025	33.7 x 2.0	33.7	29.7	24.0	Ø 50.5		706593			
DN032	42.4 x 2.0	42.4	38.4	24.0	Ø 64.0		706594			
DN040	48.3 x 2.0	48.3	44.3	25.0	Ø 64.0		706595			
DN050	60.3 x 2.0	60.3	56.3	27.0	Ø 91.0		706596			
DN065	76.1 x 2.0	76.1	72.1	28.5	Ø 106.0		706597			
DN080	88.9 x 2.3	88.9	84.3	31.0	Ø 119.0		706598			
DN100*	114.3 x 2.3	114.3	109.7	31.0	Ø 144.4		706599			

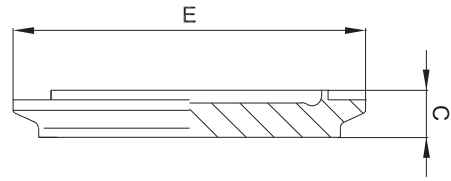
ASME BPE	Abmessung dimension	A	B	C	E		MB 1.4404			
DN 1/2"	12.7 x 1.65	12.7	9.4	22.0	Ø 34.0		710653			
DN 3/4"	19.05 x 1.65	19.05	15.75	22.0	Ø 34.0		710654			
DN 1"	25.4 x 1.65	25.4	22.1	22.0	Ø 50.5		710655			
DN 1 1/2"	38.1 x 1.65	38.1	34.8	24.0	Ø 64.0		710656			
DN 2"	50.8 x 1.65	50.8	47.5	24.5	Ø 77.5		710657			
DN 2 1/2"	63.5 x 1.65	63.5	60.2	27.5	Ø 91.0		710658			
DN 3"	76.2 x 1.65	76.2	72.9	28.5	Ø 106.0		710659			
DN 4"	101.6 x 2.11	101.6	97.38	29.5	Ø 130.0		710660			

*) nicht in der DIN-Norm enthalten | non-standard



2.6.4 Blindnutclampstutzen DIN 11864-3-A/DIN 11853-3

blind clamp with groove



zusätzliche Oberflächenqualitäten analog Seite | additional surface qualities analog page 48

weitere Abmessungen auf Anfrage | further dimensions on request

DIN	Abmessung dimension	C	E				MB 1.4435	e-pol. 1.4435	MB 1.4404	e-pol. 1.4404
DN010	13.0 x 1.5	13.0	Ø 34.0				704853	710472	706157	710486
DN015	19.0 x 1.5	13.0	Ø 34.0				704854	710473	706158	710487
DN020	23.0 x 1.5	13.0	Ø 50.5				704855	710474	706159	710488
DN025	29.0 x 1.5	13.0	Ø 50.5				704856	710475	706160	710489
DN032	35.0 x 1.5	13.0	Ø 50.5				704857	710476	706161	710490
DN040	41.0 x 1.5	13.0	Ø 64.0				704858	710477	706162	710491
DN050	53.0 x 1.5	15.0	Ø 77.5				704859	710478	706163	710492
DN065	70.0 x 2.0	15.0	Ø 91.0				704860	710479	706164	710493
DN080	85.0 x 2.0	15.0	Ø 106.0				704861	710480	706165	710494
DN100	104.0 x 2.0	15.0	Ø 130.0				704862	710481	706166	710495
DN125*	129.0 x 2.0	17.0	Ø 155.0				710470	710482	710484	710496
DN150*	154.0 x 2.0	17.0	Ø 183.0				710471	710483	710485	710497

ISO	Abmessung dimension	C	E				MB 1.4435	e-pol. 1.4435	MB 1.4404	e-pol. 1.4404
DN008	13.5 x 1.6	13.0	Ø 34.0				704871	709071	706665	710507
DN010	17.2 x 1.6	13.0	Ø 34.0				704872	709937	706666	710508
DN015	21.3 x 1.6	13.0	Ø 34.0				704873	710045	706667	710509
DN020	26.9 x 1.6	13.0	Ø 50.5				704874	710046	706668	710510
DN025	33.7 x 2.0	13.0	Ø 50.5				704875	710047	706512	709938
DN032	42.4 x 2.0	13.0	Ø 64.0				704876	710048	706669	710511
DN040	48.3 x 2.0	13.0	Ø 64.0				704877	710049	706670	710512
DN050	60.3 x 2.0	15.0	Ø 91.0				704878	710050	706671	710513
DN065	76.1 x 2.0	15.0	Ø 106.0				704879	710051	706672	710514
DN080	88.9 x 2.3	15.0	Ø 119.0				704880	710052	706673	710515
DN100*	114.3 x 2.3	15.0	Ø 144.4				704881	710053	706674	710516
DN125*	139.7 x 2.6	17.0	Ø 155.0				710498	710501	710504	710517
DN150*	168.3 x 2.6	17.0	Ø 183.0				710499	710502	710505	710518
DN200*	219.1 x 2.6	17.0	Ø 233.5				710500	710503	710506	710519

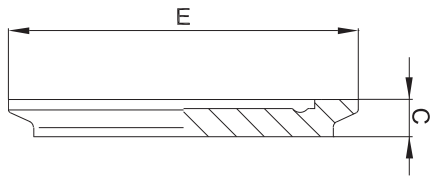
ASME BPE	Abmessung dimension	C	E				MB 1.4435	e-pol. 1.4435	MB 1.4404	e-pol. 1.4404
DN 1/2"	12.7 x 1.65	13.0	Ø 34.0				704863	710520	709690	710528
DN 3/4"	19.05 x 1.65	13.0	Ø 34.0				704864	710521	709691	710529
DN 1"	25.4 x 1.65	13.0	Ø 50.5				704865	710522	709692	710530
DN 1 1/2"	38.1 x 1.65	13.0	Ø 64.0				704866	710523	709693	710531
DN 2"	50.8 x 1.65	15.0	Ø 77.5				704867	710524	709694	710532
DN 2 1/2"	63.5 x 1.65	15.0	Ø 91.0				704868	710525	709695	710533
DN 3"	76.2 x 1.65	15.0	Ø 106.0				704869	710526	709696	710534
DN 4"	101.6 x 2.11	15.0	Ø 130.0				704870	710527	709697	710535

*) nicht in der DIN-Norm enthalten | non-standard



2.6.5 Blindbundclampstutzen DIN 11864-3-A/DIN 11853-3

blind clamp with collar



weitere Abmessungen auf Anfrage | further dimensions on request

zusätzliche Oberflächenqualitäten analog Seite | additional surface qualities analog page 48

DIN	Abmessung dimension	C	E				MB 1.4435	e-pol. 1.4435	MB 1.4404	e-pol. 1.4404
DN010	13.0 x 1.5	11.5	Ø 34.0				704795	709063	706167	710550
DN015	19.0 x 1.5	11.5	Ø 34.0				704796	710538	706168	710551
DN020	23.0 x 1.5	11.5	Ø 50.5				704797	710539	706169	710552
DN025	29.0 x 1.5	11.5	Ø 50.5				704798	709064	706170	710553
DN032	35.0 x 1.5	11.5	Ø 50.5				704799	710540	706171	710554
DN040	41.0 x 1.5	11.5	Ø 64.0				704800	710541	706172	710555
DN050	53.0 x 1.5	13.5	Ø 77.5				704801	710542	706173	710556
DN065	70.0 x 2.0	13.5	Ø 91.0				704802	710543	706174	710557
DN080	85.0 x 2.0	13.5	Ø 106.0				704803	710544	706175	710558
DN100	104.0 x 2.0	13.5	Ø 130.0				704804	710545	706176	710559
DN125*	129.0 x 2.0	15.5	Ø 155.0				710536	710546	710548	710560
DN150*	154.0 x 2.0	15.5	Ø 183.0				710537	710547	710549	710561

ISO	Abmessung dimension	C	E				MB 1.4435	e-pol. 1.4435	MB 1.4404	e-pol. 1.4404
DN008	13.5 x 1.6	11.5	Ø 34.0				704813	709116	706654	710599
DN010	17.2 x 1.6	11.5	Ø 34.0				704814	709431	706655	710600
DN015	21.3 x 1.6	11.5	Ø 34.0				704815	710585	706656	710601
DN020	26.9 x 1.6	11.5	Ø 50.5				704816	710586	706657	710602
DN025	33.7 x 2.0	11.5	Ø 50.5				704817	709065	706658	710603
DN032	42.4 x 2.0	11.5	Ø 64.0				704818	710587	706659	710604
DN040	48.3 x 2.0	11.5	Ø 64.0				704819	710588	706660	710605
DN050	60.3 x 2.0	13.5	Ø 91.0				704820	710589	706661	710606
DN065	76.1 x 2.0	13.5	Ø 106.0				704821	710590	706662	710607
DN080	88.9 x 2.3	13.5	Ø 119.0				704822	710591	706663	710608
DN100*	114.3 x 2.3	13.5	Ø 144.4				704823	710592	706664	710609
DN125*	139.7 x 2.6	15.5	Ø 155.0				710582	710593	710596	710610
DN150*	168.3 x 2.6	15.5	Ø 183.0				710583	710594	710597	710611
DN200*	219.1 x 2.6	15.5	Ø 233.5				710584	710595	710598	710612

ASME BPE	Abmessung dimension	C	E				MB 1.4435	e-pol. 1.4435	MB 1.4404	e-pol. 1.4404
DN 1/2"	12.7 x 1.65	11.5	Ø 34.0				704805	710613	709698	710621
DN 3/4"	19.05 x 1.65	11.5	Ø 34.0				704806	710614	709699	710622
DN 1"	25.4 x 1.65	11.5	Ø 50.5				704807	710615	709700	710623
DN 1 1/2"	38.1 x 1.65	11.5	Ø 64.0				704808	710616	709701	710624
DN 2"	50.8 x 1.65	13.5	Ø 77.5				704809	710617	709702	710625
DN 2 1/2"	63.5 x 1.65	13.5	Ø 91.0				704810	710618	709703	710626
DN 3"	76.2 x 1.65	13.5	Ø 106.0				704811	710619	709704	710627
DN 4"	101.6 x 2.11	13.5	Ø 130.0				704812	710620	709705	710628

*) nicht in der DIN-Norm enthalten | non-standard

Legende

- A Außendurchmesser
- B Innendurchmesser
- C Gesamtlänge
- E (Clamp-) Flansch-Außendurchmesser

Abmessungen

- DIN 11866-A (DIN 11850)
- DIN 11866-B (EN ISO 1127)
- DIN 11866-C (ASME BPE)

Normative Verweisungen, Anforderungen / Abnahmen (Vormaterial)

- DIN 32676
- BN2 (gültig für Bauteile in 1.4435)
- EN 10088-1/-3
- EN 10204
- EN 10222-5 (Rohlinge)
- EN 10254 (Rohlinge)
- EN 10272
- ASTM A276
- ASTM A182/A182M / ASME SA182/SA182M
- ASTM A479/A479M / ASME SA479/SA479M
- ASME SA336 (Rohlinge)
- AD 2000-W2

Kennzeichnung

Hersteller, Werkstoff, Abmessung, Schmelze, DIN 32676

Toleranzen (Bezugsnorm)

DIN 32676 / ISO 2768-1

Verpackung

Schweißenden mit Kunststoffkappen verschlossen, einzeln verpackt.

Werkstoffe

- 1.4435 / 1.4404 (mediumberührt)
- 1.4301/08 (nicht mediumberührt)
- EPDM (Standard)

weitere Werkstoffe auf Anfrage

Oberflächenbeschaffenheit ("MB")

innen: feinstgedreht, Ra < 0.8 µm
 außen: feingedreht, Ra < 1.6 µm

Key

- external diameter
- internal diameter
- total length
- outer (clamp) flange diameter

Dimensions

- DIN 11866-A (DIN 11850)
- DIN 11866-B (EN ISO 1127)
- DIN 11866-C (ASME BPE)

Normative References, Requirements / Approvals (raw material)

- DIN 32676
- BN2 (valid for components in 1.4435)
- EN 10088-1/-3
- EN 10204
- EN 10222-5 (forgings)
- EN 10254 (forgings)
- EN 10272
- ASTM A276
- ASTM A182/A182M / ASME SA182/SA182M
- ASTM A479/A479M / ASME SA479/SA479M
- ASME SA336 (forgings)
- AD 2000-W2

Marking

manufacturer, material, dimension, heat, DIN 32676

Tolerances (reference standard)

DIN 32676 / ISO 2768-1

Packaging

Welding ends covered with plastic caps, wrapped separately.

Materials

- 316L (at medium contact surface)
- 304 (not at medium contact surface)
- EPDM (standard)

further materials on request

Surface condition ("MB")

inside: ultra-fine turned, Ra < 0.8 µm
 outside: refined turned, Ra < 1.6 µm



Oberflächenqualitäten | surface qualities

Innenoberfläche internal surface finish	(Zusatz-) Artikel-Nr. (additional) order No
e-poliert e-polished	999277
Ra < 0.6 µm (STERI-line®)	999279
Ra < 0.5 µm (STERI-line®)	999280
Ra < 0.4 µm (HQ-line®)	999281
Ra < 0.25 µm (HQ-line®)	999283

Bestellbeispiel | ordering example

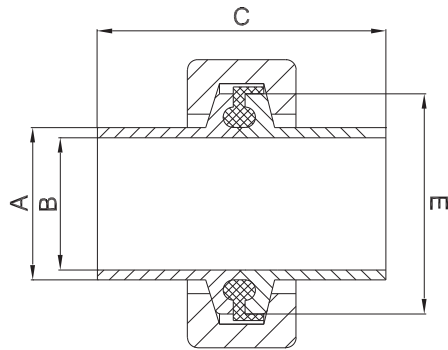
Artikelbezeichnung + Ausführungen article description + variants	Artikel-Nr. order No
Clampverbindung DN025 ISO (1.4404, EPDM) clamp connection -long type- DIN 32676	711979
e-poliert e-polished	+ 999277
Ra < 0.4 µm	+ 999281



Zubehör ab Seite 78 | accessories from page 78 on



2.7.1 Clampverbindung DIN 32676



weitere Abmessungen auf Anfrage | further dimensions on request

DIN	Abmessung dimension	A	B	C	MB 1.4435	e-pol. 1.4435	E	C	MB 1.4404	C	MB 1.4404
DN004*	6.0 x 1.0	6.0	4.0	57.2	708678	708935	Ø 25.0	XXX	XXX	XXX	XXX
DN004*	6.0 x 1.0	6.0	4.0	58.9	708679	708936	Ø 34.0	XXX	XXX	XXX	XXX
DN006	8.0 x 1.0	8.0	6.0	57.2	707278	708937	Ø 25.0	57.2	**	25.4	**
DN006*	8.0 x 1.0	8.0	6.0	58.9	707280	708938	Ø 34.0	XXX	XXX	XXX	XXX
DN008	10.0 x 1.0	10.0	8.0	57.2	707282	708939	Ø 25.0	57.2	**	25.4	**
DN008*	10.0 x 1.0	10.0	8.0	58.9	707284	708940	Ø 34.0	XXX	XXX	XXX	XXX
DN010*	12.0 x 1.0	12.0	10.0	57.2	707290	708941	Ø 25.0	XXX	XXX	XXX	XXX
DN010*	12.0 x 1.0	12.0	10.0	71.7	705667	708942	Ø 34.0	58.9	711946	37.7	705965
DN010*	12.0 x 1.0	12.0	10.0	73.7	711947	711948	Ø 50.5	XXX	XXX	XXX	XXX
DN010*	13.0 x 1.5	13.0	10.0	57.2	711949	711950	Ø 25.0	XXX	XXX	XXX	XXX
DN010	13.0 x 1.5	13.0	10.0	58.9	700931	708943	Ø 34.0	58.9	711573	37.7	705966
DN010*	13.0 x 1.5	13.0	10.0	73.7	711951	711952	Ø 50.5	XXX	XXX	XXX	XXX
DN015*	19.0 x 1.5	19.0	16.0	57.2	711953	711954	Ø 25.0	XXX	XXX	XXX	XXX
DN015	19.0 x 1.5	19.0	16.0	58.9	700932	708944	Ø 34.0	58.9	709079	37.7	705967
DN015*	19.0 x 1.5	19.0	16.0	73.7	707291	708945	Ø 50.5	XXX	XXX	XXX	XXX
DN020	23.0 x 1.5	23.0	20.0	58.9	700933	708946	Ø 34.0	58.9	711574	37.7	705968
DN020*	23.0 x 1.5	23.0	20.0	73.7	711955	711956	Ø 50.5	XXX	XXX	XXX	XXX
DN025	29.0 x 1.5	29.0	26.0	73.7	700934	708947	Ø 50.5	58.9*	709080	44.7	705969
DN032	35.0 x 1.5	35.0	32.0	73.7	700935	708948	Ø 50.5	58.9*	711957	44.7	705970
DN040	41.0 x 1.5	41.0	38.0	73.7	700936	708949	Ø 50.5	58.9*	711426	44.7	705971
DN050	53.0 x 1.5	53.0	50.0	73.7	700937	708950	Ø 64.0	58.9*	711427	44.7	705972
DN065	70.0 x 2.0	70.0	66.0	97.7	700938	708951	Ø 91.0	97.7	**	57.7	705973
DN080	85.0 x 2.0	85.0	81.0	97.7	700939	708952	Ø 106.0	97.7	**	57.7	705974
DN100	104.0 x 2.0	104.0	100.0	97.7	700940	708953	Ø 119.0	97.7	**	57.7	705975
DN125	129.0 x 2.0	129.0	125.0	133.7	706082	711958	Ø 155.0	133.7	**	57.7	706085
DN150	154.0 x 2.0	154.0	150.0	133.7	706083	711959	Ø 183.0	133.7	**	57.7	706086
DN200	204.0 x 2.0	204.0	200.0	133.7	706084	711960	Ø 233.5	133.7	**	57.7	706087

*) nicht in der DIN-Norm enthalten | non-standard

***) auf Anfrage | on request

ISO	Abmessung dimension	A	B	C	MB 1.4435	e-pol. 1.4435	E	C	MB 1.4404	C	MB 1.4404
DN008	13.5 x 1.6	13.5	10.3	57.2	707286	708954	Ø 25.0	57.2	711971	25.4	711990
DN008*	13.5 x 1.6	13.5	10.3	58.9	705487	708955	Ø 34.0	58.9	711972	37.7	705976
DN008*	13.5 x 1.6	13.5	10.3	73.7	711961	711962	Ø 50.5	XXX	XXX	XXX	XXX
DN010	17.2 x 1.6	17.2	14.0	57.2	707287	708956	Ø 25.0	57.2	711973	25.4	711991
DN010*	17.2 x 1.6	17.2	14.0	58.9	702431	708957	Ø 34.0	58.9	711974	37.7	705977
DN010*	17.2 x 1.6	17.2	14.0	73.7	711963	711964	Ø 50.5	58.9	711975	37.7	711992
DN015*	21.3 x 1.6	21.3	18.1	58.9	702439	708958	Ø 34.0	58.9	711976	37.7	705978
DN015	21.3 x 1.6	21.3	18.1	73.7	707288	708959	Ø 50.5	58.9*	711977	44.7	711993
DN020	26.9 x 1.6	26.9	23.7	73.7	702438	708960	Ø 50.5	58.9*	711978	44.7	705979
DN025	33.7 x 2.0	33.7	29.7	73.7	702437	708961	Ø 50.5	58.9*	711979	44.7	705980
DN032*	42.4 x 2.0	42.4	38.4	73.7	702436	708962	Ø 50.5	58.9	711980	44.7	705981
DN032	42.4 x 2.0	42.4	38.4	73.7	707289	708963	Ø 64.0	58.9*	711981	44.7	711994



2.7.1 Clampverbindung DIN 32676

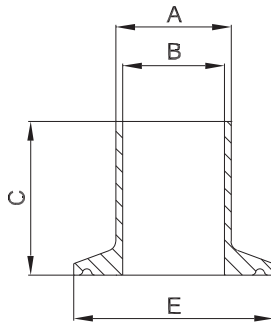
zusätzliche Oberflächenqualitäten analog Seite | additional surface qualities analog page 58

clamp connection

ISO	Abmessung dimension	A	B	C	MB 1.4435	e-pol. 1.4435	E	C	MB 1.4404	C	MB 1.4404
DN040	48.3 x 2.0	48.3	44.3	73.7	702435	708964	Ø 64.0	58.9*	711982	44.7	705982
DN050	60.3 x 2.0	60.3	56.3	73.7	702434	708965	Ø 77.5	73.7	711983	57.7	705983
DN065	76.1 x 2.0	76.1	72.1	97.7	702433	708966	Ø 91.0	97.7	711984	57.7	705984
DN080	88.9 x 2.3	88.9	84.3	97.7	702432	708967	Ø 106.0	97.7	711985	57.7	705985
DN100	114.3 x 2.3	114.3	109.7	97.7	702440	708968	Ø 130.0	97.7	711986	57.7	705986
DN125	139.7 x 2.6	139.7	134.5	133.7	711965	711966	Ø 155.0	133.7	711987	57.7	712118
DN150	168.3 x 2.6	168.3	163.1	133.7	711967	711968	Ø 183.0	133.7	711988	57.7	711995
DN200	219.1 x 2.6	219.1	213.9	133.7	711969	711970	Ø 233.5	133.7	711989	57.7	711996

ASME BPE	Abmessung dimension	A	B	C	MB 1.4435	e-pol. 1.4435	E	C	MB 1.4404	C	MB 1.4404
DN ¼"	6.35 x 0.89	6.35	4.57	57.2	711997	712000	Ø 25.0	57.2	712011	25.4	712017
DN ⅜"	9.53 x 0.89	9.53	7.75	57.2	711998	712001	Ø 25.0	57.2	712012	25.4	712018
DN ½"	12.7 x 1.65	12.7	9.4	57.2	703987	712002	Ø 25.0	57.2	707294	25.4	705987
DN ¾"	19.05 x 1.65	19.05	15.75	57.2	703988	712003	Ø 25.0	57.2	707295	25.4	705988
DN 1"	25.4 x 1.65	25.4	22.1	73.7	703989	712004	Ø 50.5	58.9*	707296	44.7	705989
DN 1½"	38.1 x 1.65	38.1	34.8	73.7	703990	712005	Ø 50.5	58.9*	707297	44.7	705990
DN 2"	50.8 x 1.65	50.8	47.5	73.7	703991	712006	Ø 64.0	73.7	707298	57.7*	705991
DN 2½"	63.5 x 1.65	63.5	60.2	73.7	703992	712007	Ø 77.5	73.7	712013	57.7	705992
DN 3"	76.2 x 1.65	76.2	72.9	97.7	705489	712008	Ø 91.0	97.7	712014	57.7	705993
DN 4"	101.6 x 2.11	101.6	97.38	97.7	705490	712009	Ø 119.0	97.7	712015	57.7	705994
DN 6"	152.4 x 2.77	152.4	146.86	133.7	711999	712010	Ø 167.0	133.7	712016	39.9*	712019

*) nicht in der DIN-Norm enthalten | non-standard



weitere Abmessungen auf Anfrage | further dimensions on request

zusätzliche Oberflächenqualitäten analog Seite | additional surface qualities analog page 58

DIN	Abmessung dimension	A	B	C	MB 1.4435	e-pol. 1.4435	E	C	MB 1.4404	C	MB 1.4404
DN004*	6.0 x 1.0	6.0	4.0	28.6	708103	710952	Ø 25.0	XXX	XXX	XXX	XXX
DN004*	6.0 x 1.0	6.0	4.0	28.6	704208	710953	Ø 34.0	XXX	XXX	XXX	XXX
DN006	8.0 x 1.0	8.0	6.0	28.6	706001	710954	Ø 25.0	28.6	**	12.7	**
DN006*	8.0 x 1.0	8.0	6.0	28.6	703087	710955	Ø 34.0	XXX	XXX	XXX	XXX
DN008	10.0 x 1.0	10.0	8.0	28.6	703248	710956	Ø 25.0	28.6	**	12.7	**
DN008*	10.0 x 1.0	10.0	8.0	28.6	702970	710957	Ø 34.0	XXX	XXX	XXX	XXX
DN010*	12.0 x 1.0	12.0	10.0	28.6	706740	708997	Ø 25.0	XXX	XXX	XXX	XXX
DN010*	12.0 x 1.0	12.0	10.0	35.0	701776	707211	Ø 34.0	28.6	706479	18.0	700871
DN010*	12.0 x 1.0	12.0	10.0	36.0	702476	710958	Ø 50.5	XXX	XXX	XXX	XXX
DN010*	13.0 x 1.5	13.0	10.0	28.6	707990	707991	Ø 25.0	XXX	XXX	XXX	XXX
DN010	13.0 x 1.5	13.0	10.0	28.6	703938	707549	Ø 34.0	28.6	706480	18.0	705455
DN010*	13.0 x 1.5	13.0	10.0	36.0	703888	709283	Ø 50.5	XXX	XXX	XXX	XXX
DN015*	19.0 x 1.5	19.0	16.0	28.6	708930	708931	Ø 25.0	XXX	XXX	XXX	XXX
DN015	19.0 x 1.5	19.0	16.0	28.6	702457	707213	Ø 34.0	28.6	706481	18.0	700872
DN015*	19.0 x 1.5	19.0	16.0	36.0	701593	709179	Ø 50.5	XXX	XXX	XXX	XXX
DN020	23.0 x 1.5	23.0	20.0	28.6	702458	708723	Ø 34.0	28.6	706482	18.0	700873
DN020*	23.0 x 1.5	23.0	20.0	36.0	701594	710959	Ø 50.5	XXX	XXX	XXX	XXX
DN025	29.0 x 1.5	29.0	26.0	36.0	701786	707212	Ø 50.5	28.6*	706483	21.5	700874
DN032	35.0 x 1.5	35.0	32.0	36.0	700865	704084	Ø 50.5	28.6*	706484	21.5	700875
DN040	41.0 x 1.5	41.0	38.0	36.0	702477	708724	Ø 50.5	28.6*	706485	21.5	700876
DN050	53.0 x 1.5	53.0	50.0	36.0	700867	707214	Ø 64.0	28.6*	706486	21.5	700877
DN065	70.0 x 2.0	70.0	66.0	48.0	700868	709084	Ø 91.0	48.0	**	28.0	700878
DN080	85.0 x 2.0	85.0	81.0	48.0	700869	709085	Ø 106.0	48.0	**	28.0	700879
DN100	104.0 x 2.0	104.0	100.0	48.0	700870	710960	Ø 119.0	48.0	**	28.0	700880
DN125	129.0 x 2.0	129.0	125.0	66.0	706088	710961	Ø 155.0	66.0	**	28.0	703479
DN150	154.0 x 2.0	154.0	150.0	66.0	706089	710962	Ø 183.0	66.0	**	28.0	703553
DN200	204.0 x 2.0	204.0	200.0	66.0	706090	710963	Ø 233.5	66.0	**	28.0	704460

*) nicht in der DIN-Norm enthalten | non-standard

***) auf Anfrage | on request

ISO	Abmessung dimension	A	B	C	MB 1.4435	e-pol. 1.4435	E	C	MB 1.4404	C	MB 1.4404
DN008	13.5 x 1.6	13.5	10.3	28.6	707311	708244	Ø 25.0	28.6	706329	12.7	710966
DN008*	13.5 x 1.6	13.5	10.3	28.6	708793	709675	Ø 34.0	28.6	706488	18.0	703127
DN008*	13.5 x 1.6	13.5	10.3	36.0	702482	710967	Ø 50.5	XXX	XXX	XXX	XXX
DN010	17.2 x 1.6	17.2	14.0	28.6	707312	709473	Ø 25.0	28.6	706330	12.7	709454
DN010*	17.2 x 1.6	17.2	14.0	28.6	708794	710968	Ø 34.0	28.6	706489	18.0	700921
DN010*	17.2 x 1.6	17.2	14.0	36.0	702565	710969	Ø 50.5	28.6	701596	18.0	710970
DN015*	21.3 x 1.6	21.3	18.1	28.6	708795	710971	Ø 34.0	28.6	706490	18.0	700922
DN015	21.3 x 1.6	21.3	18.1	36.0	701597	708820	Ø 50.5	28.6*	706487	21.5	706333
DN020	26.9 x 1.6	26.9	23.7	36.0	700913	708069	Ø 50.5	28.6*	706491	21.5	700923
DN025	33.7 x 2.0	33.7	29.7	36.0	700914	708212	Ø 50.5	28.6*	706492	21.5	700924
DN032*	42.4 x 2.0	42.4	38.4	36.0	700915	708056	Ø 50.5	28.6	708725	21.5	700925
DN032	42.4 x 2.0	42.4	38.4	36.0	704266	709419	Ø 64.0	28.6*	706493	21.5	710972



2.7.2 Clampstutzen DIN 32676

zusätzliche Oberflächenqualitäten analog Seite | additional surface qualities analog page 58

TC/ferrule

ISO	Abmessung dimension	A	B	C	MB 1.4435	e-pol. 1.4435	E	C	MB 1.4404	C	MB 1.4404
DN040	48.3 x 2.0	48.3	44.3	36.0	702475	709045	Ø 64.0	28.6*	706494	21.5	700926
DN050	60.3 x 2.0	60.3	56.3	36.0	700917	709046	Ø 77.5	36.0	710973	28.0	700927
DN065	76.1 x 2.0	76.1	72.1	48.0	700918	709761	Ø 91.0	48.0	710983	28.0	700928
DN080	88.9 x 2.3	88.9	84.3	48.0	700919	710978	Ø 106.0	48.0	710984	28.0	700929
DN100	114.3 x 2.3	114.3	109.7	48.0	700920	710979	Ø 130.0	48.0	710985	28.0	700930
DN125	139.7 x 2.6	139.7	134.5	66.0	710974	710980	Ø 155.0	66.0	710986	28.0	710989
DN150	168.3 x 2.6	168.3	163.1	66.0	710975	710981	Ø 183.0	66.0	710987	28.0	710990
DN200	219.1 x 2.6	219.1	213.9	66.0	710976	710982	Ø 233.5	66.0	710988	28.0	709574

ASME BPE	Abmessung dimension	A	B	C	MB 1.4435	e-pol. 1.4435	E	C	MB 1.4404	C	MB 1.4404
DN ¼"	6.35 x 0.89	6.35	4.57	28.6	706038	710992	Ø 25.0	28.6	710998	12.7	711005
DN ⅜"	9.53 x 0.89	9.53	7.75	28.6	709487	710993	Ø 25.0	28.6	710999	12.7	711006
DN ½"	12.7 x 1.65	12.7	9.4	28.6	708291	709246	Ø 25.0	28.6	706676	12.7	706766
DN ¾"	19.05 x 1.65	19.05	15.75	28.6	708292	709150	Ø 25.0	28.6	708686	12.7	706767
DN 1"	25.4 x 1.65	25.4	22.1	36.0	703969	708043	Ø 50.5	28.6*	706677	21.5	701601
DN 1½"	38.1 x 1.65	38.1	34.8	36.0	702560	709081	Ø 50.5	28.6*	701602	21.5	704001
DN 2"	50.8 x 1.65	50.8	47.5	36.0	702561	709464	Ø 64.0	36.0	711000	28.0*	706678
DN 2½"	63.5 x 1.65	63.5	60.2	36.0	704258	710994	Ø 77.5	36.0	711001	28.0	704380
DN 3"	76.2 x 1.65	76.2	72.9	48.0	704537	710995	Ø 91.0	48.0	711002	28.0	704602
DN 4"	101.6 x 2.11	101.6	97.38	48.0	704538	710996	Ø 119.0	48.0	711003	28.0	704632
DN 6"	152.4 x 2.77	152.4	146.86	66.0	710991	710997	Ø 167.0	66.0	711004	19.1*	708885

*) nicht in der DIN-Norm enthalten | non-standard

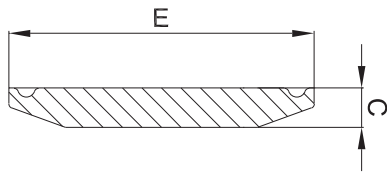


Weitere Varianten wie z.B. Clampstutzen mit Tülle, Clampadapter oder Clampstutzen mit Außen-, bzw. Innengewinde sind ab Lager lieferbar.

Further variants like clamp hose nozzles or (threaded) adapters are consignable from stock.



blind clamp



weitere Abmessungen auf Anfrage | further dimensions on request

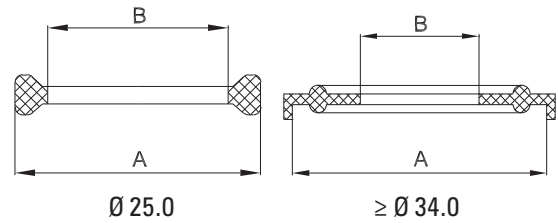
zusätzliche Oberflächenqualitäten analog Seite | additional surface qualities analog page 58

		C	E				MB 1.4435	e-pol. 1.4435	MB 1.4404	
		4.75	Ø 25.0				700896	709062	700881	
		6.35	Ø 34.0				700894	708218	700882	
		6.35	Ø 50.5				701499	708219	700884	
		6.35	Ø 64.0				701502	708220	700887	
		6.35	Ø 77.5				701501	711010	700886	
		6.35	Ø 91.0				701503	711011	700888	
		6.35	Ø 106.0				701505	711012	700889	
		8.0	Ø 119.0				700895	711013	700890	
		8.0	Ø 130.0				705488	711014	704925	
		8.0	Ø 144.4				711007	711015	706046	
		8.0	Ø 155.0				703549	711016	703550	
		14.0	Ø 167.0				708589	711017	711022	
		14.0	Ø 183.0				706091	711018	706093	
		14.0	Ø 233.5				706092	711019	706094	
		14.0	Ø 268.0				711008	711020	708616	
		14.0	Ø 319.0				711009	711021	711023	



2.7.4 Clampdichtung DIN 32676

TC/clamp gasket



DIN	Abmessung dimension	A	B	EPDM	FKM	VMQ	A	B	PTFE	FKM/PTFE **
DN004*	6.0 x 1.0	Ø 21.8	≥ 4.2	709706	711143	711157	Ø 21.8	≥ 4.0	709707	713187
DN004*	6.0 x 1.0	Ø 34.0	≥ 4.2	709284	711144	711158	Ø 34.0	≥ 4.0	711170	XXX
DN006	8.0 x 1.0	Ø 21.8	≥ 6.2	708280	711145	711159	Ø 21.8	≥ 6.0	708281	713188
DN006*	8.0 x 1.0	Ø 34.0	≥ 6.2	711121	711146	711160	Ø 34.0	≥ 6.0	711171	XXX
DN008	10.0 x 1.0	Ø 21.8	≥ 8.2	708282	711147	711161	Ø 21.8	≥ 8.0	708283	713189
DN008*	10.0 x 1.0	Ø 34.0	≥ 8.2	711122	711148	711162	Ø 34.0	≥ 8.0	706618	XXX
DN010*	12.0 x 1.0	Ø 21.8	≥ 10.2	709708	711149	711163	Ø 21.8	≥ 10.0	709709	711176
DN010*	12.0 x 1.0	Ø 34.0	≥ 10.2	700901	707228	706688	Ø 34.0	≥ 10.0	703006	705456
DN010*	12.0 x 1.0	Ø 50.5	≥ 10.2	700343	711150	711164	Ø 50.5	≥ 10.0	711172	705651
DN010*	13.0 x 1.5	Ø 21.8	≥ 10.2	709708	711149	711163	Ø 21.8	≥ 10.0	709709	711176
DN010	13.0 x 1.5	Ø 34.0	≥ 10.2	700901	707228	706688	Ø 34.0	≥ 10.0	703006	705456
DN010*	13.0 x 1.5	Ø 50.5	≥ 10.2	700343	711150	711164	Ø 50.5	≥ 10.0	711172	705651
DN015*	19.0 x 1.5	Ø 21.8	≥ 16.2	709411	711151	711165	Ø 21.8	≥ 16.0	711173	711094
DN015	19.0 x 1.5	Ø 34.0	≥ 16.2	700902	707229	706689	Ø 34.0	≥ 16.0	703533	705457
DN015*	19.0 x 1.5	Ø 50.5	≥ 16.2	700359	711152	711166	Ø 50.5	≥ 16.0	704387	712732
DN020	23.0 x 1.5	Ø 34.0	≥ 20.2	700903	707230	706690	Ø 34.0	≥ 20.0	703826	705458
DN020*	23.0 x 1.5	Ø 50.5	≥ 20.2	703570	711153	711167	Ø 50.5	≥ 20.0	700363	712733
DN025	29.0 x 1.5	Ø 50.5	≥ 26.2	700904	707231	706691	Ø 50.5	≥ 26.0	703530	705459
DN032	35.0 x 1.5	Ø 50.5	≥ 32.2	700905	707232	706692	Ø 50.5	≥ 32.0	703827	705460
DN040	41.0 x 1.5	Ø 50.5	≥ 38.2	700906	707233	706693	Ø 50.5	≥ 38.0	703825	705461
DN050	53.0 x 1.5	Ø 64.0	≥ 50.2	700907	707234	706694	Ø 64.0	≥ 50.0	703828	705462
DN065	70.0 x 2.0	Ø 91.0	≥ 66.2	700908	707235	706695	Ø 91.0	≥ 66.0	703830	705463
DN080	85.0 x 2.0	Ø 106.0	≥ 81.2	700909	707236	706696	Ø 106.0	≥ 81.0	703831	705464
DN100	104.0 x 2.0	Ø 119.0	≥ 100.2	700910	702934	706697	Ø 119.0	≥ 100.0	704463	705465
DN125	129.0 x 2.0	Ø 155.0	≥ 125.2	703552	711154	711168	Ø 155.0	≥ 125.0	711174	706095
DN150	154.0 x 2.0	Ø 183.0	≥ 150.2	703541	711155	711169	Ø 183.0	≥ 150.0	706877	706096
DN200	204.0 x 2.0	Ø 233.5	≥ 200.2	703977	711156	710467	Ø 233.5	≥ 200.0	711175	706097

*) nicht in der DIN-Norm enthalten | non-standard

***) ummantelt | enveloped

ISO	Abmessung dimension	A	B	EPDM	FKM	VMQ	A	B	PTFE	FKM/PTFE **
DN008	13.5 x 1.6	Ø 21.8	≥ 10.5	706709	709316	709076	Ø 21.8	≥ 10.3	708911	706708
DN008*	13.5 x 1.6	Ø 34.0	≥ 10.5	701785	709317	706722	Ø 34.0	≥ 10.3	701797	705466
DN008*	13.5 x 1.6	Ø 50.5	≥ 10.5	702423	711178	711183	Ø 50.5	≥ 10.3	704436	711196
DN010	17.2 x 1.6	Ø 21.8	≥ 14.2	708211	709318	711184	Ø 21.8	≥ 14.0	708501	709710
DN010*	17.2 x 1.6	Ø 34.0	≥ 14.2	701787	709319	706723	Ø 34.0	≥ 14.0	701798	705467
DN010*	17.2 x 1.6	Ø 50.5	≥ 14.2	703038	711179	711185	Ø 50.5	≥ 14.0	706616	709934
DN015*	21.3 x 1.6	Ø 34.0	≥ 18.3	701788	709320	706724	Ø 34.0	≥ 18.1	701799	705468
DN015	21.3 x 1.6	Ø 50.5	≥ 18.3	702556	709321	711186	Ø 50.5	≥ 18.1	705694	710285
DN020	26.9 x 1.6	Ø 50.5	≥ 23.9	701789	709322	705697	Ø 50.5	≥ 23.7	701800	705469
DN025	33.7 x 2.0	Ø 50.5	≥ 29.9	701790	709323	706081	Ø 50.5	≥ 29.7	701801	705470
DN032*	42.4 x 2.0	Ø 50.5	≥ 38.6	701791	709324	706727	Ø 50.5	≥ 38.4	701802	705471
DN032	42.4 x 2.0	Ø 64.0	≥ 38.6	705616	709325	711187	Ø 64.0	≥ 38.4	706619	704354



ISO	Abmessung dimension	A	B	EPDM	FKM	VMQ	A	B	PTFE	FKM/PTFE **
DN040	48.3 x 2.0	Ø 64.0	≥ 44.5	701792	709326	706728	Ø 64.0	≥ 44.3	701803	705472
DN050	60.3 x 2.0	Ø 77.5	≥ 56.5	701793	704582	706729	Ø 77.5	≥ 56.3	701804	705473
DN065	76.1 x 2.0	Ø 91.0	≥ 72.3	701794	709328	711188	Ø 91.0	≥ 72.1	701805	705474
DN080	88.9 x 2.3	Ø 106.0	≥ 84.5	701795	709329	711189	Ø 106.0	≥ 84.3	701806	705475
DN100	114.3 x 2.3	Ø 130.0	≥ 109.9	701796	709330	711190	Ø 130.0	≥ 109.7	701807	705476
DN125	139.7 x 2.6	Ø 155.0	≥ 134.7	709711	711180	711191	Ø 155.0	≥ 134.5	711194	709712
DN150	168.3 x 2.6	Ø 183.0	≥ 163.3	708696	711181	711192	Ø 183.0	≥ 163.1	711195	709713
DN200	219.1 x 2.6	Ø 233.5	≥ 214.1	711177	711182	711193	Ø 233.5	≥ 213.9	709573	711197

ASME BPE	Abmessung dimension	A	B	EPDM	FKM	VMQ	A	B	PTFE	FKM/PTFE **
DN ¼"	6.35 x 0.89	Ø 21.8	≥ 4.8	711201	711203	711206	Ø 21.8	≥ 4.6	711210	713546
DN ⅜"	9.53 x 0.89	Ø 21.8	≥ 8.0	711202	711204	711207	Ø 21.8	≥ 7.8	711211	712824
DN ½"	12.7 x 1.65	Ø 21.8	≥ 9.6	702441	709565	705685	Ø 21.8	≥ 9.4	702442	705477
DN ¾"	19.05 x 1.65	Ø 21.8	≥ 16.0	702443	709566	705686	Ø 21.8	≥ 15.8	702444	705478
DN 1"	25.4 x 1.65	Ø 50.5	≥ 22.3	702445	709567	709450	Ø 50.5	≥ 22.1	702446	704610
DN 1½"	38.1 x 1.65	Ø 50.5	≥ 35.0	702447	709568	703832	Ø 50.5	≥ 34.8	702448	704611
DN 2"	50.8 x 1.65	Ø 64.0	≥ 47.7	702449	707952	711208	Ø 64.0	≥ 47.5	702450	704612
DN 2½"	63.5 x 1.65	Ø 77.5	≥ 60.4	702451	709569	711209	Ø 77.5	≥ 60.2	702452	705479
DN 3"	76.2 x 1.65	Ø 91.0	≥ 73.1	702453	709570	705047	Ø 91.0	≥ 72.9	702454	704613
DN 4"	101.6 x 2.11	Ø 119.0	≥ 97.6	702455	709571	709462	Ø 119.0	≥ 97.4	702456	704614
DN 6"	152.4 x 2.77	Ø 167.0	≥ 147.1	708590	711205	705379	Ø 167.0	≥ 146.9	708288	709959

*) nicht in der DIN-Norm enthalten | non-standard

***) ummantelt | enveloped

Blinddichtungen, Siebe, etc. sind ebenfalls verfügbar
orifice plates, screens, etc. are also available





2.8 Nippel-SO (ähnlich | similar) DIN 2982

orbitalschweißfähig | for orbital welding

nipple

Legende

- A Außendurchmesser
- B Innendurchmesser
- C Gesamtlänge
- E Gewinde

Abmessungen

- DIN 11866-A (DIN 11850)
- DIN 11866-B (EN ISO 1127)
- DIN 11866-C (ASME BPE)

Normative Verweisungen, Anforderungen / Abnahmen (Vormaterial)

- BN2
- EN 10088-1/-3
- EN 10204
- EN 10272
- ASTM A276
- ASTM A182/A182M / ASME SA182/SA182M
- ASTM A479/A479M / ASME SA479/SA479M
- AD 2000-W2

Kennzeichnung

Hersteller, Werkstoff, Abmessung, Schmelze

Toleranzen (Bezugsnorm)

ISO 2768-1

Verpackung

Anschlüsse mit Kunststoffkappen verschlossen, einzeln verpackt.

Werkstoffe

1.4435

weitere Werkstoffe auf Anfrage

Oberflächenbeschaffenheit ("MB")

innen: feinstgedreht, Ra < 0.8 µm
 außen: feingedreht, Ra < 1.6 µm

Key

- external diameter
- internal diameter
- total length
- thread

Dimensions

- DIN 11866-A (DIN 11850)
- DIN 11866-B (EN ISO 1127)
- DIN 11866-C (ASME BPE)

Normative References, Requirements / Approvals (raw material)

- BN2
- EN 10088-1/-3
- EN 10204
- EN 10272
- ASTM A276
- ASTM A182/A182M / ASME SA182/SA182M
- ASTM A479/A479M / ASME SA479/SA479M
- AD 2000-W2

Marking

manufacturer, material, dimension, heat

Tolerances (reference standard)

ISO 2768-1

Packaging

Connecting ends covered with plastic caps, wrapped separately.

Materials

316L

further materials on request

Surface condition ("MB")

inside: ultra-fine turned, Ra < 0.8 µm
 outside: refined turned, Ra < 1.6 µm

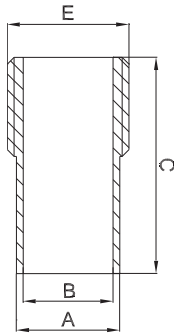


Oberflächenqualitäten | surface qualities

Innenoberfläche internal surface finish	(Zusatz-) Artikel-Nr. (additional) order No
e-poliert e-polished	999277
Ra < 0.6 µm (STERI-line®)	999279
Ra < 0.5 µm (STERI-line®)	999280
Ra < 0.4 µm (HQ-line®)	999281
Ra < 0.25 µm (HQ-line®)	999283

Bestellbeispiel | ordering example

Artikelbezeichnung + Ausführungen article description + variants	Artikel-Nr. order No
Nippel-SO DN025 ISO G 1" (1.4435) nipple	703982
e-poliert e-polished	+ 999277
Ra < 0.6 µm	+ 999279



weitere Abmessungen auf Anfrage | further dimensions on request

DIN	Abmessung dimension	A	B	C	E	MB 1.4435
DN010	12.0 x 1.0	12.0	10.0	40.0	1/8"	704323
DN010	12.0 x 1.0	12.0	10.0	40.0	1/4"	701327
DN010	13.0 x 1.5	13.0	10.0	40.0	1/8"	705078
DN010	13.0 x 1.5	13.0	10.0	40.0	1/4"	709140
DN010	13.0 x 1.5	13.0	10.0	40.0	3/8"	709105
DN015	19.0 x 1.5	19.0	16.0	50.0	1/4"	704011
DN015	19.0 x 1.5	19.0	16.0	50.0	3/8"	701328
DN015	19.0 x 1.5	19.0	16.0	50.0	1/2"	701330
DN015	19.0 x 1.5	19.0	16.0	50.0	3/4"	705646
DN020	23.0 x 1.5	23.0	20.0	50.0	3/4"	701329
DN025	29.0 x 1.5	29.0	26.0	50.0	3/4"	704267
DN025	29.0 x 1.5	29.0	26.0	50.0	1"	701331
DN032	35.0 x 1.5	35.0	32.0	58.0	1 1/4"	701332
DN040	41.0 x 1.5	41.0	38.0	55.0	1 1/2"	701333
DN050	53.0 x 1.5	53.0	50.0	58.0	2"	701334
DN065	70.0 x 2.0	70.0	66.0	58.0	2 1/2"	701335
DN080	85.0 x 2.0	85.0	81.0	58.0	3"	701336
DN100	104.0 x 2.0	104.0	100.0	58.0	4"	701337

ISO	Abmessung dimension	A	B	C	E	MB 1.4435
DN008	13.5 x 1.6	13.5	10.3	40.0	1/4"	703978
DN008	13.5 x 1.6	13.5	10.3	40.0	3/8"	704077
DN010	17.2 x 1.6	17.2	14.0	40.0	1/4"	704990
DN010	17.2 x 1.6	17.2	14.0	40.0	3/8"	703979
DN015	21.3 x 1.6	21.3	18.1	40.0	3/8"	704570
DN015	21.3 x 1.6	21.3	18.1	40.0	1/2"	703980
DN015	21.3 x 1.6	21.3	18.1	50.0	3/4"	704569
DN020	26.9 x 1.6	26.9	23.7	58.0	3/4"	703981
DN025	33.7 x 2.0	33.7	29.7	45.0	1/2"	704359
DN025	33.7 x 2.0	33.7	29.7	49.0	1"	703982
DN032	42.4 x 2.0	42.4	38.4	58.0	1 1/4"	703983
DN040	48.3 x 2.0	48.3	44.3	55.0	1 1/2"	703984
DN050	60.3 x 2.0	60.3	56.3	58.0	2"	703985
DN065	76.1 x 2.0	76.1	72.1	58.0	2 1/2"	703986
DN080	88.9 x 2.3	88.9	84.3	58.0	3"	705453
DN100	114.3 x 2.3	114.3	109.7	58.0	4"	705454

ASME BPE	Abmessung dimension	A	B	C	E	MB 1.4435
DN 1/2"	12.7 x 1.65	12.7	9.4	40.0	1/4"	705370
DN 3/4"	19.05 x 1.65	19.05	15.75	40.0	1/2"	705371
DN 1"	25.4 x 1.65	25.4	22.1	45.0	3/4"	705372
DN 1 1/2"	38.1 x 1.65	38.1	34.8	55.0	1 1/2"	705373
DN 2"	50.8 x 1.65	50.8	47.5	58.0	2"	705374
DN 2 1/2"	63.5 x 1.65	63.5	60.2	58.0	2 1/2"	705375
DN 3"	76.2 x 1.65	76.2	72.9	58.0	3"	705376
DN 4"	101.6 x 2.11	101.6	97.38	58.0	4"	705377

Anschweißnippel in Standard-Ausführung sind ebenfalls lieferbar | nipples for welding in standard version are also consignable



2.9 Muffe-SO (ähnlich | similar) DIN 2986

orbitalschweißfähig | for orbital welding

sleeve

Legende

- A Außendurchmesser
- B Innendurchmesser
- C Gesamtlänge
- E Gewinde

Abmessungen

- DIN 11866-A (DIN 11850)
- DIN 11866-B (EN ISO 1127)
- DIN 11866-C (ASME BPE)

Normative Verweisungen, Anforderungen / Abnahmen (Vormaterial)

- BN2
- EN 10088-1/-3
- EN 10204
- EN 10272
- ASTM A276
- ASTM A182/A182M / ASME SA182/SA182M
- ASTM A479/A479M / ASME SA479/SA479M
- AD 2000-W2

Kennzeichnung

Hersteller, Werkstoff, Abmessung, Schmelze

Toleranzen (Bezugsnorm)

ISO 2768-1

Verpackung

Anschlüsse mit Kunststoffkappen verschlossen, einzeln verpackt.

Werkstoffe

1.4435

weitere Werkstoffe auf Anfrage

Oberflächenbeschaffenheit ("MB")

innen: feinstgedreht, Ra < 0.8 µm
 außen: feingedreht, Ra < 1.6 µm

Key

- external diameter
- internal diameter
- total length
- thread

Dimensions

- DIN 11866-A (DIN 11850)
- DIN 11866-B (EN ISO 1127)
- DIN 11866-C (ASME BPE)

Normative References, Requirements / Approvals (raw material)

- BN2
- EN 10088-1/-3
- EN 10204
- EN 10272
- ASTM A276
- ASTM A182/A182M / ASME SA182/SA182M
- ASTM A479/A479M / ASME SA479/SA479M
- AD 2000-W2

Marking

manufacturer, material, dimension, heat

Tolerances (reference standard)

ISO 2768-1

Packaging

Connecting ends covered with plastic caps, wrapped separately.

Materials

316L

further materials on request

Surface condition ("MB")

inside: ultra-fine turned, Ra < 0.8 µm
 outside: refined turned, Ra < 1.6 µm

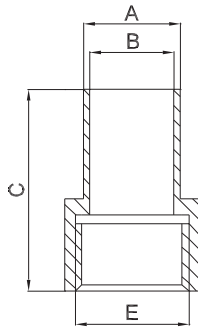


Oberflächenqualitäten | surface qualities

Innenoberfläche internal surface finish	(Zusatz-) Artikel-Nr. (additional) order No
e-poliert e-polished	999277
Ra < 0.6 µm (STERI-line®)	999279
Ra < 0.5 µm (STERI-line®)	999280
Ra < 0.4 µm (HQ-line®)	999281
Ra < 0.25 µm (HQ-line®)	999283

Bestellbeispiel | ordering example

Artikelbezeichnung + Ausführungen article description + variants	Artikel-Nr. order No
Muffe-SO DN025 ISO G 1" (1.4435) sleeve	703452
e-poliert e-polished	+ 999277
Ra < 0.25 µm	+ 999283



weitere Abmessungen auf Anfrage | further dimensions on request

DIN	Abmessung dimension	A	B	C	E	MB 1.4435			
DN010	12.0 x 1.0	12.0	10.0	40.0	1/4"	701373			
DN010	13.0 x 1.5	13.0	10.0	40.0	3/8"	701374			
DN015	19.0 x 1.5	19.0	16.0	40.0	1/4"	704012			
DN015	19.0 x 1.5	19.0	16.0	40.0	1/2"	701375			
DN020	23.0 x 1.5	23.0	20.0	45.0	3/4"	701376			
DN025	29.0 x 1.5	29.0	26.0	50.0	3/4"	704315			
DN025	29.0 x 1.5	29.0	26.0	50.0	1"	701377			
DN032	35.0 x 1.5	35.0	32.0	58.0	1 1/4"	701378			
DN040	41.0 x 1.5	41.0	38.0	55.0	1 1/2"	701379			
DN050	53.0 x 1.5	53.0	50.0	58.0	2"	701380			
DN065	70.0 x 2.0	70.0	66.0	58.0	2 1/2"	701381			
DN080	85.0 x 2.0	85.0	81.0	58.0	3"	701382			
DN100	104.0 x 2.0	104.0	100.0	58.0	4"	701383			

ISO	Abmessung dimension	A	B	C	E	MB 1.4435			
DN008	13.5 x 1.6	13.5	10.3	40.0	1/4"	703448			
DN010	17.2 x 1.6	17.2	14.0	40.0	3/8"	703449			
DN015	21.3 x 1.6	21.3	18.1	40.0	1/2"	703095			
DN020	26.9 x 1.6	26.9	23.7	45.0	3/4"	703451			
DN025	33.7 x 2.0	33.7	29.7	50.0	1"	703452			
DN032	42.4 x 2.0	42.4	38.4	58.0	1 1/4"	703453			
DN040	48.3 x 2.0	48.3	44.3	55.0	1 1/4"	704442			
DN040	48.3 x 2.0	48.3	44.3	55.0	1 1/2"	703454			
DN050	60.3 x 2.0	60.3	56.3	58.0	2"	703455			
DN065	76.1 x 2.0	76.1	72.1	58.0	2 1/2"	703456			
DN080	88.9 x 2.3	88.9	84.3	58.0	3"	703457			
DN100	114.3 x 2.3	114.3	109.7	58.0	4"	703450			

ASME BPE	Abmessung dimension	A	B	C	E	MB 1.4435			
DN 1/2"	12.7 x 1.65	12.7	9.4	40.0	1/4"	705390			
DN 3/4"	19.05 x 1.65	19.05	15.75	40.0	1/2"	705391			
DN 1"	25.4 x 1.65	25.4	22.1	45.0	3/4"	705392			
DN 1 1/2"	38.1 x 1.65	38.1	34.8	55.0	1 1/2"	705393			
DN 2"	50.8 x 1.65	50.8	47.5	58.0	2"	705394			
DN 2 1/2"	63.5 x 1.65	63.5	60.2	58.0	2 1/2"	705395			
DN 3"	76.2 x 1.65	76.2	72.9	58.0	3"	705396			
DN 4"	101.6 x 2.11	101.6	97.38	58.0	4"	705397			

Anschweißmuffen in Standard-Ausführung sind ebenfalls lieferbar | sleeves for welding in standard version are also consignable



2.10 STERI-Cap®

Rohrendkappe mit Orbitalschweißende

end cap for tubes with orbital welding end

Legende

- A Außendurchmesser
- B Innendurchmesser
- C Gesamtlänge

Abmessungen

- DIN 11866-A (DIN 11850)
- DIN 11866-B (EN ISO 1127)
- DIN 11866-C (ASME BPE)

Normative Verweisungen, Anforderungen / Abnahmen (Vormaterial)

- BN2
- EN 10088-1/-3
- EN 10204
- EN 10272
- ASTM A276
- ASTM A182/A182M / ASME SA182/SA182M
- ASTM A479/A479M / ASME SA479/SA479M
- AD 2000-W2

Kennzeichnung

Hersteller, Werkstoff, Abmessung, Schmelze

Toleranzen (Bezugsnorm)

ISO 2768-1

Verpackung

Schweißende mit Kunststoffkappe verschlossen, einzeln verpackt.

Werkstoffe

1.4435

weitere Werkstoffe auf Anfrage

Oberflächenbeschaffenheit ("MB")

innen: feinstgedreht, Ra < 0.8 µm
 außen: feingedreht, Ra < 1.6 µm

Key

- external diameter
- internal diameter
- total length

Dimensions

- DIN 11866-A (DIN 11850)
- DIN 11866-B (EN ISO 1127)
- DIN 11866-C (ASME BPE)

Normative References, Requirements / Approvals (raw material)

- BN2
- EN 10088-1/-3
- EN 10204
- EN 10272
- ASTM A276
- ASTM A182/A182M / ASME SA182/SA182M
- ASTM A479/A479M / ASME SA479/SA479M
- AD 2000-W2

Marking

manufacturer, material, dimension, heat

Tolerances (reference standard)

ISO 2768-1

Packaging

Welding end covered with plastic cap, wrapped separately.

Materials

316L

further materials on request

Surface condition ("MB")

inside: ultra-fine turned, Ra < 0.8 µm
 outside: refined turned, Ra < 1.6 µm

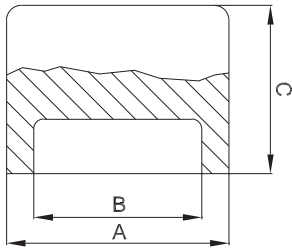


Oberflächenqualitäten | surface qualities

Innenoberfläche internal surface finish	(Zusatz-) Artikel-Nr. (additional) order No
e-poliert e-polished	999277
Ra < 0.6 µm (STERI-line®)	999279
Ra < 0.5 µm (STERI-line®)	999280
Ra < 0.4 µm (HQ-line®)	999281
Ra < 0.25 µm (HQ-line®)	999283

Bestellbeispiel | ordering example

Artikelbezeichnung + Ausführungen article description + variants	Artikel-Nr. order No
STERI-Cap® DN025 ISO (1.4435) end cap for tubes	704117
e-poliert e-polished	+ 999277
Ra < 0.6 µm	+ 999279



weitere Abmessungen auf Anfrage | further dimensions on request

DIN	Abmessung dimension	A	B	C	MB 1.4435
DN006	8.0 x 1.0	8.0	6.0	25.0	704129
DN008	10.0 x 1.0	10.0	8.0	25.0	704130
DN010	12.0 x 1.0	12.0	10.0	25.0	704131
DN010	13.0 x 1.5	13.0	10.0	25.0	705398
DN015	19.0 x 1.5	19.0	16.0	25.0	704132
DN020	23.0 x 1.5	23.0	20.0	26.0	704021
DN025	29.0 x 1.5	29.0	26.0	30.0	704133
DN032	35.0 x 1.5	35.0	32.0	30.0	704022
DN040	41.0 x 1.5	41.0	38.0	31.0	704134
DN050	53.0 x 1.5	53.0	50.0	31.0	704135
DN065	70.0 x 2.0	70.0	66.0	41.0	704136
DN080	85.0 x 2.0	85.0	81.0	41.0	704137
DN100	104.0 x 2.0	104.0	100.0	41.0	703203
DN125	129.0 x 2.0	129.0	125.0	41.0	704138
DN150	154.0 x 2.0	154.0	150.0	41.0	704139

ISO	Abmessung dimension	A	B	C	MB 1.4435
DN008	13.5 x 1.6	13.5	10.3	25.0	704140
DN010	17.2 x 1.6	17.2	14.0	25.0	704141
DN015	21.3 x 1.6	21.3	18.1	25.0	704142
DN020	26.9 x 1.6	26.9	23.7	25.0	703995
DN025	33.7 x 2.0	33.7	29.7	30.0	704117
DN032	42.4 x 2.0	42.4	38.4	30.0	704143
DN040	48.3 x 2.0	48.3	44.3	25.0	704144
DN050	60.3 x 2.0	60.3	56.3	31.0	704118
DN065	76.1 x 2.0	76.1	72.1	41.0	704145
DN080	88.9 x 2.3	88.9	84.3	41.0	704146
DN100	114.3 x 2.3	114.3	109.7	41.0	703913
DN125	139.7 x 2.6	139.7	134.5	41.0	704114
DN150	168.3 x 2.6	168.3	163.1	41.0	703967

ASME BPE	Abmessung dimension	A	B	C	MB 1.4435
DN 1/2"	12.7 x 1.65	12.7	9.4	38.1	705328
DN 3/4"	19.05 x 1.65	19.05	15.75	38.1	705329
DN 1"	25.4 x 1.65	25.4	22.1	38.1	705330
DN 1 1/2"	38.1 x 1.65	38.1	34.8	38.1	705331
DN 2"	50.8 x 1.65	50.8	47.5	38.1	705332
DN 2 1/2"	63.5 x 1.65	63.5	60.2	38.1	705333
DN 3"	76.2 x 1.65	76.2	72.9	44.5	705334
DN 4"	101.6 x 2.11	101.6	97.38	50.8	705335

Klöpferböden nach DIN 28011 sind ebenfalls ab Lager lieferbar
Torispherical heads acc. to DIN 28011 are also available from stock